

Try these other fine products.

ELK-110 Digital Electronic Voice Siren Driver

High quality voice messages and loud attention getting siren sounds in an economical, low current draw, compact package. It has two input channels, multilingual voices, many unique options, and may be used with virtually any residential or commercial alarm installation.

ELK-120 Recordable Voice Module And Siren

An incredibly versatile product featuring two recordable voice channels with up to 10 seconds each along with a two channel siren driver. Voice messages are stored in non-volatile memory and may then be played from a momentary or maintained activation.

ELK-14 Universal Speaker

Universal speaker for paging, voice messages, or traditional alarm signalling. It is rugged and compact, will mount virtually anywhere, and has the quality to produce a loud, clear sound.

ELK-150 RT Siren & Stainless Steel Enclosure

A self-contained siren/speaker in the ELK-1 housing, ideal for use with today's popular controls. It draws as little as 700 milliamps and can produce two distinct sounds, from controls that have only a single alarm output.

ELK-960 Delay Timer

An economical adjustable time delay relay suitable for hundreds of applications. It features 12 or 24 Vdc operation, and can be configured for delayed turn-on, delayed turn-off, pulsating on/off, or single one-shot activation. Delay time is adjustable from 1 second to 60 minutes.

ELK-965 Low Battery Cutoff and Power Switch

Designed to work with virtually any 12 Volt control panel or power supply. The convenient power switch permits the installer or user to disconnect both the battery and AC power for servicing or emergencies. Automatically disconnects the battery during an extended power outage if the voltage falls below 9 Vdc.

ELK-800 Telephone Paging Amplifier

Compact audio amplifier for telephone paging, PA, and alarm announcement. It can be centrally or remotely installed and saves money by requiring only 22-24 gauge telco or alarm type wire. It operates on 16.5 to 24 Volts AC or DC and has a built-in volume adjust. The output is short circuit protected and is capable of driving multiple speakers.

For more information contact your local Distributor or:
ELK PRODUCTS, INC 704/397-4200 FAX 704/397-4415
<http://www.elkpro.com> Email: sales@elkpro.com

PRINTED IN USA

Two-Line Phone Jack & Surge Suppressor ELK-955

FEATURES:

- Superior Solid State Surge Suppression
- Rapid Response Time
- Protects Two Incoming Telephone Lines
- Clamps Line-To-Line & Line-To-Ground
- Self-restores After Surges Within Ratings
- RJ31/38X 8 Position Modular Jacks
- Convenient Testpoints For Linemans Testset
- Attractive Surface Mount Enclosure

SPECIFICATIONS:

- Response Time: < 1 Nanosecond
- Breakover Voltage:
Telephone Line: 300 Volts
- Peak Pulse Current:
Telephone Line: 100 Amps
- Ground Wire: 24" - 14 Gauge Stranded
- FCC Reg. No. 5K6USA-23140-XP-N
Ren No. 0.0B

ELK
PRODUCTS, INC.

PO Box 100 • Hwy. 70W • Hildebran, NC 28637 • USA

Two-Line Phone Jack & Surge Suppressor ELK-955



APPLICATION:

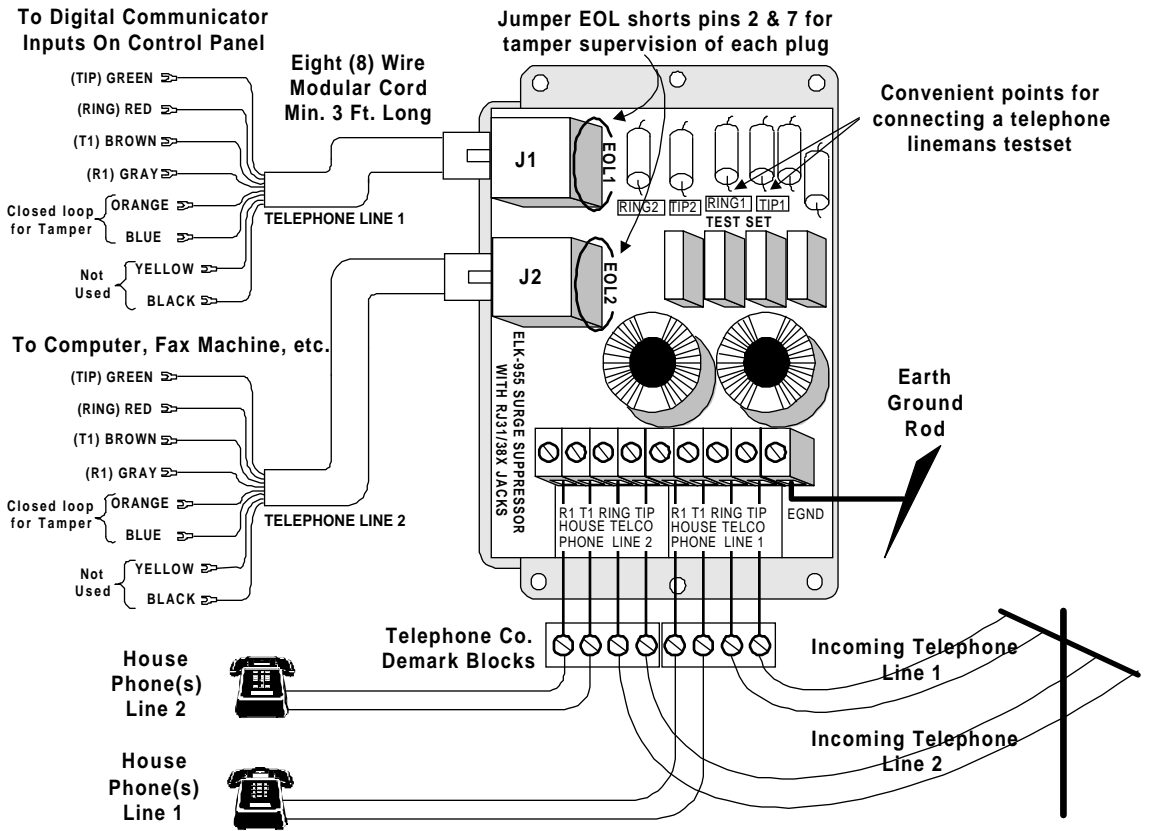
The **ELK-955 Two-Line Phone Jack & Surge Suppressor** is an extremely effective device for protecting communications equipment from damaging transients coming in over the telephone line. The ELK-955 is FCC listed as an RJ-31/38X disconnect block, making it ideal for use with digital communicators for both security and fire applications. Virtually any telephone equipment connected behind the ELK-955 will also benefit from the surge suppression.

Instructions Printed On Inside

L331 9730

CONNECTIONS

- EGND** Connect to a good quality earth ground using a 14-16 gauge wire. Best choices of ground are: Copper or galvanized rod (6' or longer) driven into the ground **OR** a metallic cold water pipe. Do not use PVC pipe! If all else fails, a less effective but alternative ground is the screw on the cover of an electrical outlet.
- TELCO LINE 1** **RING** - Connect one side of the **Incoming Telephone Line** pair. (Commonly colored RED)
TIP - Connect the other side of the **Incoming Telephone Line** pair. (Commonly colored GREEN)
- HOUSE PHONE 1** **R1** - Connect one side of the pair returning to the **House Phone(s)**. (Commonly colored BLACK)
T1 - Connect the other side of the pair returning to the **House Phone(s)**. (Commonly colored YELLOW)
- TELCO LINE 2** **RING** - Connect one side of the **Incoming Telephone Line** pair. (Commonly colored RED)
TIP - Connect the other side of the **Incoming Telephone Line** pair. (Commonly colored GREEN)
- HOUSE PHONE 2** **R1** - Connect one side of the pair returning to the **House Phone(s)**. (Commonly colored BLACK)
T1 - Connect the other side of the pair returning to the **House Phone(s)**. (Commonly colored YELLOW)
- J1 & J2 8 PIN RJ MODULAR JACK** Utilizing individual 8 wire modular cords, connect the equipment to be protected (Digital Communicator, Telephone Key Set, etc.) to the modular jacks J1 and J2. For optimum surge protection the cords should be 3 feet or longer. Pins 4 & 5 are RING and TIP going to the equipment. Pins 1 & 8 are R1 and T1 returning from the equipment. Pins 2 & 7 are shorted together by jumpers to create closed circuit tamper loops for supervising the modular plug. To convert to restored EOL circuits, cut the jumpers and attach the required resistors in series with the jumpers.



FIVE YEAR LIMITED WARRANTY

Elk Products, Inc. ("Manufacturer") warrants to the original purchaser of this product (the "Customer") that, for a period of five years from date of manufacture, this product is free from defects in material and workmanship. Manufacturer's obligations under this Limited Warranty shall be limited to repairing or replacing, at its option, free of charge, this product when returned to Manufacturer freight prepaid. Manufacturer shall have no obligation under this Limited Warranty or otherwise if (1) this product has been damaged by negligence, accident, mishandling, lightning or flood, or other Acts of God, (2) this product has not been operated in accordance with its operating instructions, (3) this product has been altered or repaired by anyone outside Manufacturer's authorized facilities (4) adaptations or accessories have been made or attached to this product which, in Manufacturer's sole determination, have affected the performance, safety or reliability of this product.

If this product should malfunction or fail during the warranty period, contact Manufacturer or authorized distributor for a Return Authorization (RA) number. Returned product must include a complete description of the problem, along with the RA number clearly marked on outside of the package. Manufacturer will not be responsible for any unnecessary items included with returned product.

THIS WARRANTY IS THE CUSTOMER'S EXCLUSIVE WARRANTY FOR THIS PRODUCT. MANUFACTURER SPECIFICALLY DISCLAIMS ANY AND ALL OTHER WARRANTIES OF ANY KIND, EXPRESS OR IMPLIED, INCLUDING ANY WARRANTIES OF FITNESS FOR A PARTICULAR PURPOSE OR OF MERCHANTABILITY. MANUFACTURER SHALL NOT BE LIABLE IN TORT, INCLUDING LIABILITY IN NEGLIGENCE OR STRICT LIABILITY, AND SHALL HAVE NO LIABILITY AT ALL FOR INJURY TO PERSONS OR PROPERTY. MANUFACTURER'S LIABILITY FOR FAILURE TO FULFILL ITS OBLIGATION UNDER THIS LIMITED WARRANTY OR ANY OTHER LIABILITY UNDER OR IN CONNECTION WITH THIS PRODUCT SHALL BE LIMITED TO THE AMOUNT OF THE PURCHASE PRICE RECEIVED BY MANUFACTURER FOR THIS PRODUCT. THE REMEDIES STATED IN THIS LIMITED WARRANTY ARE THE CUSTOMER'S EXCLUSIVE REMEDIES AGAINST MANUFACTURER REGARDING THIS PRODUCT. UNDER NO CIRCUMSTANCES SHALL MANUFACTURER BE LIABLE FOR ANY INDIRECT, INCIDENTAL, SPECIAL OR CONSEQUENTIAL DAMAGES, INCLUDING LOST PROFITS AND REVENUES, INCONVENIENCE OR INTERRUPTIONS IN OPERATIONS, OR ANY OTHER COMMERCIAL OR ECONOMIC LOSSES OF ANY KIND. THESE LIMITATIONS AND DISCLAIMERS ARE NOT MADE BY MANUFACTURER WHERE PROHIBITED BY LAW. SOME STATES PROHIBIT LIMITATIONS OF WARRANTIES AND THE CUSTOMER MAY HAVE ADDITIONAL RIGHTS IN THOSE STATES.