



714 LOOP EXPANDER

Description

The 714 Loop Expander allows you to increase the number of protection loops available on DMP command processor panels. The 714 provides an additional four burglary loops for connecting burglary and non-powered fire alarm initiating devices to the panel.

The 714 Loop Expander can be installed on individual wire runs up to 500' from the panel using 22 gauge wire or up to 1000' using 18 gauge wire.

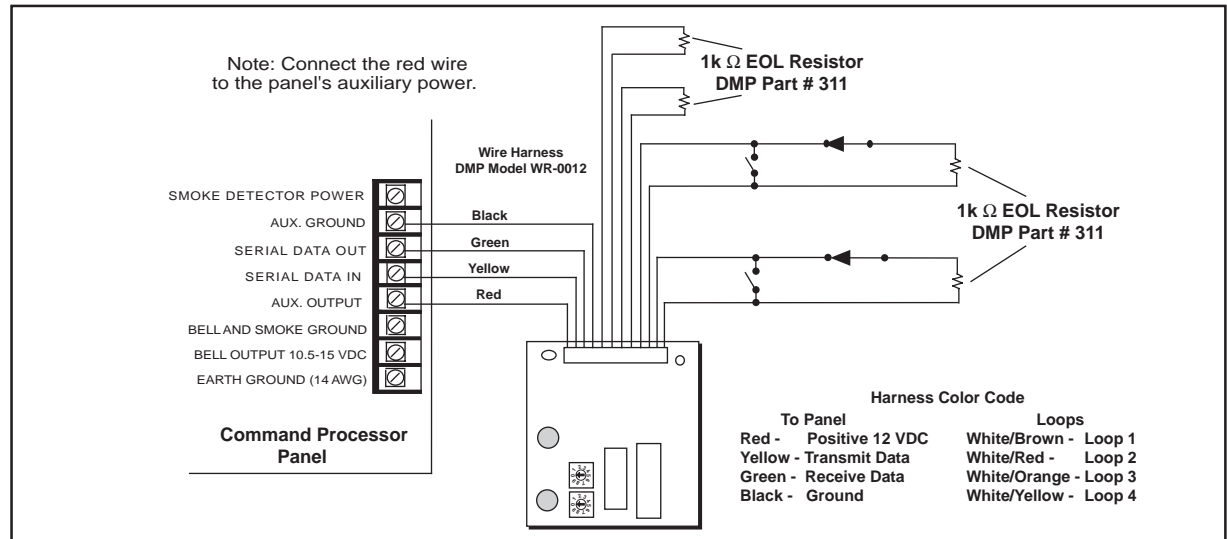


Figure 1: Panel and device connections to the 714 Loop Expander

Address setting

The 714 loop expander contains two rotary switches labeled S1 and S2 that allow you to set the module's address. The two switches are set to match the last two digits of the starting loop number (for example, 2 and 0 for loops 120 to 123).

When connecting to the keypad data bus, only the switch labeled S1 is used.

To set the module's address, use a small slotted screwdriver and gently turn the center arrow on each switch clockwise to the number that matches the correct address. See Figure 2.

Each loop on the 714 Loop Expander can be individually assigned to any active area in the system.

Loop numbers are preassigned to the device address: You cannot change the number of a loop. For example, the loops on a 714 module addressed as 120 will always be # 120 to #123. You can, however, change the assignment of individual loops to other areas at any time.

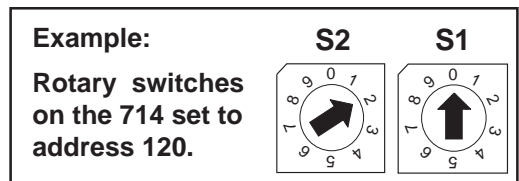


Figure 2: Address switch settings

Using the 714 with the 1912XR Command Processor

You can install up to eight 714 Loop Expander modules on the 1912XR panel's keypad data bus or up to twenty-five 714 modules on the 862N, 862P, 872, or 881 interface cards. Refer to the 1912XR Programming Manual (LT-0171) for additional information on connecting modules to the 1912XR panel.

Rotary switch settings

Use the tables below when setting the 714 module's address:

Device Address	Switch Settings		Loop Numbers by Panel Type			
	S2	S1	1512	1712/1812	1912	1912XR
1	0	1	11 to 14	17 to 20	11 to 14	11 to 14
2	0	2	21 to 24	21 to 24	21 to 24	21 to 24
3	0	3	N/A	25 to 28	31 to 34	31 to 34
4	0	4	N/A	29 to 32	41 to 44	41 to 44
5	0	5	N/A	33 to 36	N/A	51 to 54
6	0	6	N/A	37 to 40	N/A	61 to 64
7	0	7	N/A	41 to 44	N/A	71 to 74
8	0	8	N/A	45 to 48	N/A	81 to 84

Figure 3: Keypad bus rotary switch settings

Loop Expansion Module								
Loops	S2	S1	Loops	S2	S1	Loops	S2	S1
100 to 103	0	0	136 to 139	3	6	172 to 175	7	2
104 to 107	0	4	140 to 143	4	0	176 to 179	7	6
108 to 111	0	8	144 to 147	4	4	180 to 183	8	0
112 to 115	1	2	148 to 151	4	8	184 to 187	8	4
116 to 119	1	6	152 to 155	5	2	188 to 191	8	8
120 to 123	2	0	156 to 159	5	6	192 to 195	9	2
124 to 127	2	4	160 to 163	6	0	196 to 199	9	6
128 to 131	2	8	164 to 167	6	4			
132 to 135	3	2	168 to 171	6	8			

Figure 4: Loop expansion bus rotary settings

Switch settings match the loop numbers

The rotary switch settings match the last two digits of the first loop. For example, setting the switches to 3 for S2 and 2 for S1 (32), makes the four loops on the expander 132 to 135.