

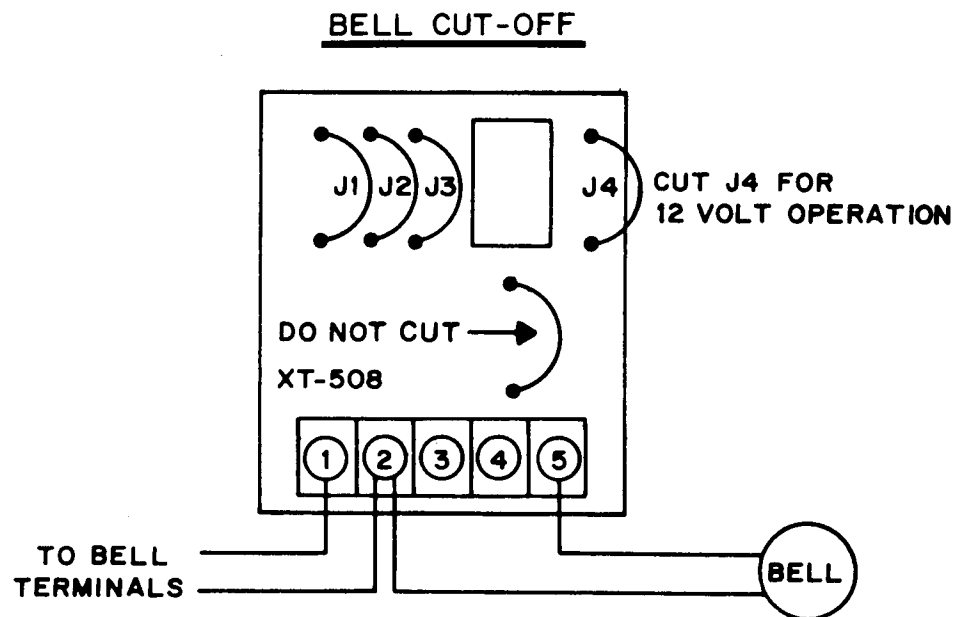
The 508 may be wired as:

1. Bell Cut-Off Timer
2. Recycle Timer
3. Bell Sounding Delay

The unit is preset for 30 seconds. Make connection as outlined below and test operation. Now select desired time and cut appropriate jumpers.

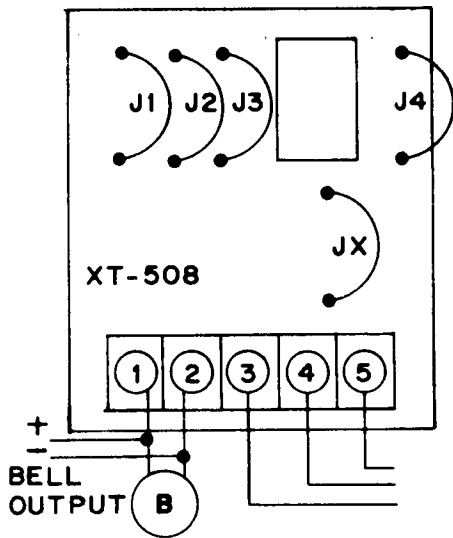
J3 13-18 minutes
J2 13-18 minutes
J1 4-5 minutes

With more than one
jumper cut, the times
are cumulative.
Ex: J1 & J2 = 17-23 mins.



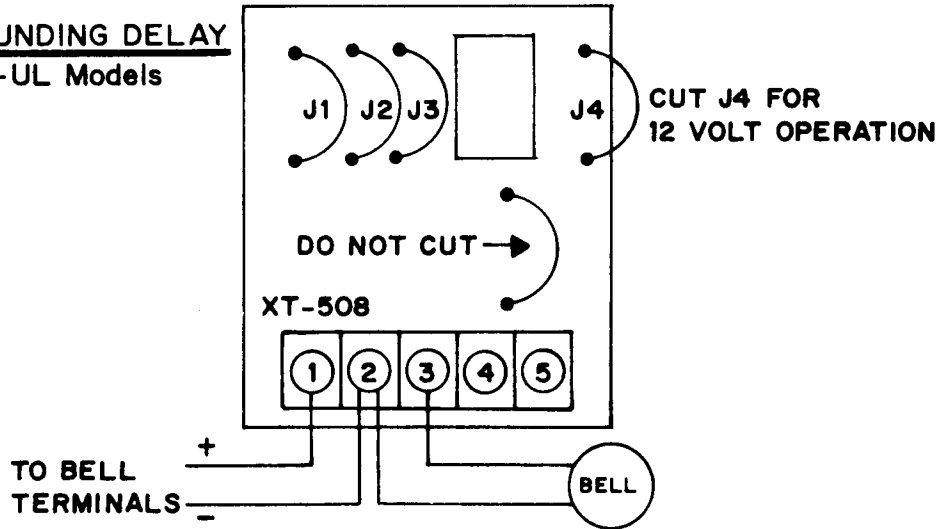
NOTE: If cut off indicator light is used, connect #504 between terminals 2 and 3.

RECYCLE TIMER-Cut Jumper X



508-6VOLT					
	1	2	3	4	5
600	26	25	X	IN SERIES WITH RECYCLE JUMPER J2 OF 600	
675	24	25	X	IN SERIES WITH JUMPER J2 OF 675	
800	9	10	X	IN SERIES WITH 4TH POSITION OF KEYSWITCH	
875	11	12	X		
CUT J4 FOR 12 VOLT OPERATION					
1200	8	7	6	10	

BELL SOUNDING DELAY
All Non-UL Models



BELL SOUNDING DELAY
Model 875 Only

