



No. 4219

WIRED ZONE EXPANDER MODULE

For Use With Control/Communicators Supporting
Zone Expander Connection via Keypad Lines.
Adds up to 8 supervised wired zones.

INSTALLATION INSTRUCTIONS

GENERAL INFORMATION

This module adds up to 8 end-of-line resistor supervised zones to compatible control/communicators via the control's keypad wiring.

The module may be mounted within the control's cabinet (if room permits), or remotely. If mounted remotely, there are provisions to tamper protect the unit. Communication to the module is supervised so that it cannot be disconnected from the keypad wiring without detection by the control. If the wiring is cut, a tamper or alarm signal will result, to indicate that this device (and possibly other similarly connected devices) has become inoperative.

INSTALLATION

When the module is to be mounted inside the control's cabinet, it should be mounted horizontally. Insert self-tapping screws (provided) in two adjacent raised tabs at the back of the cabinet. Leave the heads projecting 1/8". Hang the module on the screw heads via two of the slotted holes on the back of its housing. In this case, the module's cover need not be tamper protected. If the tamper jumper (see the diagram) is placed in its upper position, the module's cover can be left off. See the control's instructions for additional information.

When the module is to be mounted remotely, holes at its rear permit it to be mounted horizontally or vertically. Wires can exit from the side or the breakout on the back of its housing. The tamper jumper should be put into its lower position and, when the installation is completed, the unit's cover put on. A magnet in the cover, positioned near a reed switch in the unit, will cause a tamper signal to be sent to the control if the cover is removed.

Affix the connections label that accompanies the module to the inside of the module's cover if the cover is to be used; otherwise, affix it to the inside of the control's cover.

CONNECTIONS AND SETTINGS

See the table below and the diagram on the other side.

Make protection zone connections to 12-position terminal block TB1. Each zone that is used must have a 1000 ohm end-of-line resistor connected across the end of its loop, as shown.

If a zone is not programmed, the resistor need not be used. The method of programming each zone for type of alarm and reporting code to the central monitoring station varies with the control to which the module is connected. Refer to the installation instructions for that control unit.

Set the DIP switch to one of 16 addresses, as shown in the table below, so the control can identify the module and communicate with it properly. The address to be set is determined by the particular control to be used, and the control's installation instructions must be consulted. As shipped, the DIP switch is set for an address of "0".

Zone A can be set for a fast response time of 10ms to an open circuit, if desired, by setting position 1 of the DIP switch to "OFF". As shipped, it is set to "ON" for a response time of 300ms, as shown in the table below. All of the module's other protection zones have a nominal response time of 300ms.

Connections to the control's keypad wiring points can be made via 4-terminal block TB2, the 4-pin plug, or both (wire color connections are the same).

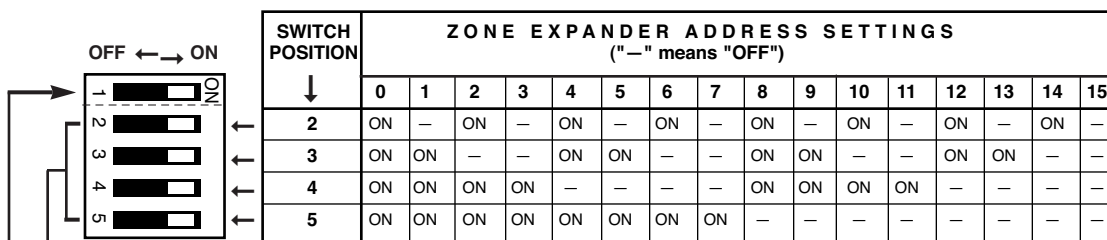
SPECIFICATIONS

Physical 6-7/16"W x 4-1/4"H x 1-1/4"D
(163mm x 108mm x 32mm)

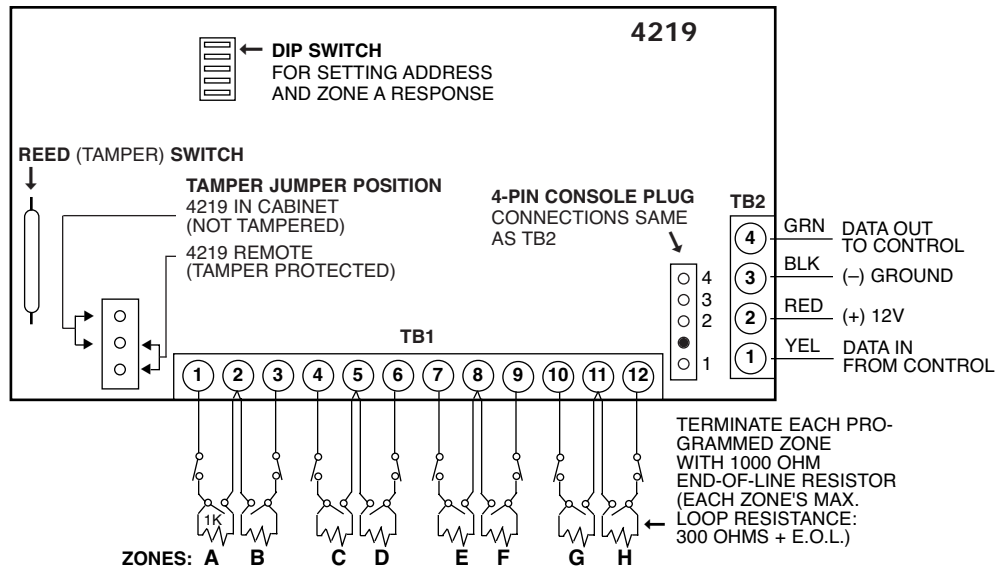
Electrical

Input Voltage: 12VDC (from control's remote keypad connection points)
Current: 30mA

DIP SWITCH SETTINGS



DIP SWITCH: (WHITE AREAS DENOTE SWITCH HANDLES)
POSITIONS 2-5: DETERMINE ZONE EXPANDER'S ADDRESS-CONSULT CONTROL'S INSTRUCTIONS FOR ADDRESS TO USE. SWITCH SETTING SHOWN SET FOR ADDRESS "0".
POSITION 1: DETERMINES ZONE A'S RESPONSE TIME
 ON = NORMAL (300MS) RESPONSE, SHOWN (AS SHIPPED).
 OFF = FAST (10MS) RESPONSE TO AN OPEN.



WIRING CONNECTIONS

REFER TO THE INSTALLATION INSTRUCTIONS FOR THE CONTROL WITH WHICH THIS DEVICE IS USED FOR DETAILS REGARDING THE LIMITATIONS OF THE ENTIRE ALARM SYSTEM.

ADEMCO LIMITED WARRANTY

Alarm Device Manufacturing Company, a Division of Pittway Corporation, and its divisions, subsidiaries and affiliates ("Seller"), 165 Eileen Way, Syosset, New York 11791, warrants its products to be in conformance with its own plans and specifications and to be free from defects in materials and workmanship under normal use and service for 24 months from the date stamp control on the product or, for products not having an Ademco date stamp, for 12 months from date of original purchase unless the installation instructions or catalog sets forth a shorter period, in which case the shorter period shall apply. Seller's obligation shall be limited to repairing or replacing, at its option, free of charge for materials or labor, any product which is proved not in compliance with Seller's specifications or proves defective in materials or workmanship under normal use and service. Seller shall have no obligation under this Limited Warranty or otherwise if the product is altered or improperly repaired or serviced by anyone other than Ademco factory service. For warranty service, return product transportation prepaid, to:

Ademco Factory Service, 165 Eileen Way, Syosset, New York 11791.

THERE ARE NO WARRANTIES, EXPRESS OR IMPLIED, OF MERCHANTABILITY, OR FITNESS FOR A PARTICULAR PURPOSE OR OTHERWISE, WHICH EXTEND BEYOND THE DESCRIPTION ON THE FACE HEREOF. IN NO CASE SHALL SELLER BE LIABLE TO ANYONE FOR ANY CONSEQUENTIAL OR INCIDENTAL DAMAGES FOR BREACH OF THIS OR ANY OTHER WARRANTY, EXPRESS OR IMPLIED, OR UPON ANY OTHER BASIS OF LIABILITY WHATSOEVER, EVEN IF THE LOSS OR DAMAGE IS CAUSED BY THE SELLER'S OWN NEGLIGENCE OR FAULT.

Seller does not represent that the products it sells may not be compromised or circumvented; that the products will prevent any personal injury or property loss by burglary, robbery, fire or otherwise; or that the products will in all cases provide adequate warning or protection. Customer understands that a properly installed and maintained alarm may only reduce the risk of a burglary, robbery, fire or other events occurring without providing an alarm, but it is not insurance or a guarantee that such will not occur or that there will be no personal injury or property loss as a result. CONSEQUENTLY, SELLER SHALL HAVE NO LIABILITY FOR ANY PERSONAL INJURY, PROPERTY DAMAGE OR OTHER LOSS BASED ON A CLAIM THE PRODUCT FAILED TO GIVE WARNING. However, if Seller is held liable, whether directly or indirectly, for any loss or damage arising under this Limited Warranty or otherwise, regardless of cause or origin, Seller's maximum liability shall not in any case exceed the purchase price of the product, which shall be the complete and exclusive remedy against Seller. This warranty replaces any previous warranties and is the only warranty made by Seller on this product. No increase or alteration, written or verbal, of the obligations of this Limited Warranty is authorized.

ADEMCO GROUP

165 Eileen Way, Syosset, New York 11791

Copyright © 1997 PITTWAY CORPORATION

N8924 9/97