

8. Wire the outputs to the devices. Figure 2 shows a typical LED and relay connection. Figure 3 details the color codes of the 12-wire cable. Do not exceed 40mA of current draw from each output. Do not exceed 250mA of total current through the Red (+12V) and Black (NEG) wires of the twelve pin cable. Use 18awg wire for current drains in excess of 250mA and wire them directly to the control AUX12 and Negative terminals.

Note: The ODM outputs have limited transient immunity and should not leave the enclosure or be protected by an auxiliary enclosure.

9. After all wiring is complete, turn the ON/OFF switch to ON and proceed with programming the output conditions (see the *ZX400/ZX410 Programming Manual*, part number 64812702).

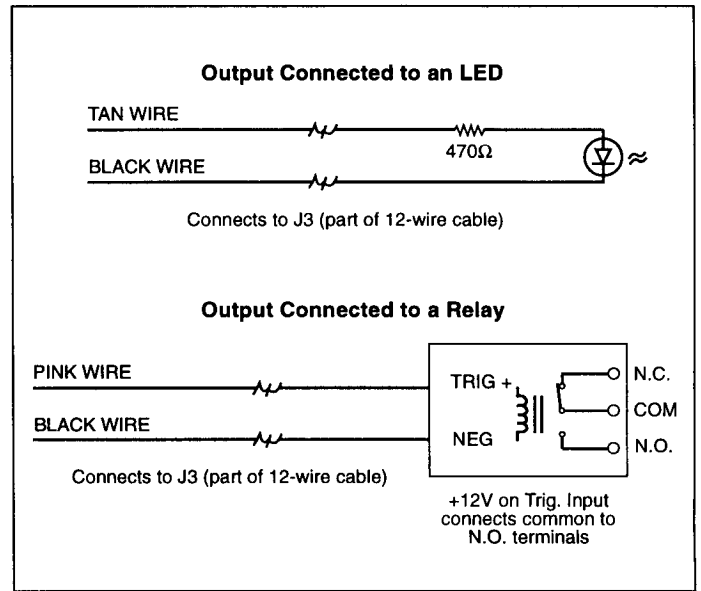


Figure 2

FUNCTION/OUTPUT	WIRE COLOR
1	Tan
2	Pink
3	Gray
4	Violet
5	Yellow
6	Orange
7	Blue
8	Dark Brown
9	Green
10	White
NEG	Black
12V	Red

Figure 3



A PRODUCT OF SENTROL, INC

SENTROL CONTROLS GROUP
 PO Box 2904
 1510 Tate Blvd. SE
 Hickory, NC 28603
 Sales: 800.547.2556
 Fax: 503.691.7566
 Technical Support: 800.800.2027

Sentrol, Inc. reserves the right to change specifications without notice.
 ©1996 Sentrol, Inc.

64812693B