

Installation Instructions

MOOSE HCP-12SULC

High Current 12VDC Power Supply

APPLICATION

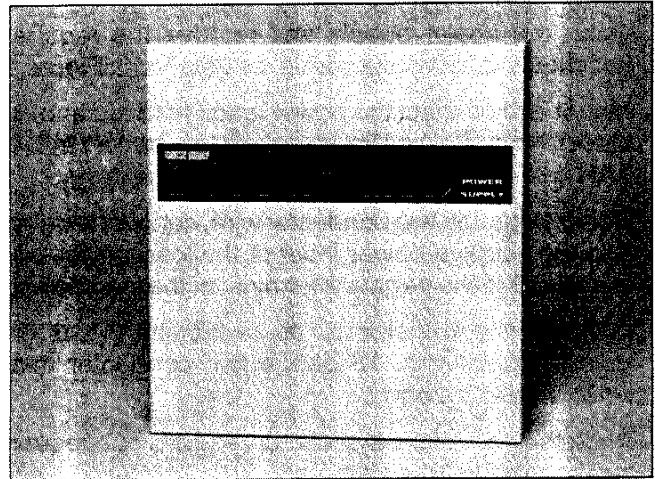
High current switching power supply/recharger combined with a rugged metal enclosure. Operates with 12VDC output. The HCP-12SULC can be used to power systems requiring an external 12VDC power source with loads not exceeding 2 Amps.

SPECIFICATIONS

- Temperature range: -18° to +49°C
- Humidity: @90%
- Primary input: 120 Volt, .59 Amp, 60Hz
Secondary output: 18VAC, 50VA Class II transformer
- Output: 12 Volt operation, 1.25 amps continuous maximum, power limited. See Approvals Chart.
- Backup battery: a single 12VDC, 7AH sealed lead acid rechargeable battery
MOV/lightning protection
- 450mV ripple under maximum load
- LED in cover indicates AC and DC power status

FEATURES

- Automatic electronic switching from primary to backup power
- Filtered input and filtered output
- Fused Output: 2.7 Amps
- Triggered regulator shutdown: @+5VDC
- Power limited
- Low battery cutoff at 8 Volts
- Short circuit battery protection
- 2.0 Amps continuous auxiliary power at 12VDC for non-UL installations
- 3.0 Amps on alarm with battery attached



DESCRIPTION

The HCP-12SULC power supply is capable of providing a 12 Volt DC power limited output, with a current rating of 1.25 amps continuous, while the AC primary source is present and a rating of 2 amps continuous for 2 minutes when used to power alarm sounding devices for burglary. Should the primary AC source be lost, it will electronically switch to the standby battery. The power supply is housed in an attractive beige-colored steel cabinet, which also houses the standby battery.

OPTIONS

- HCP-12SULC - Complete power supply with 12 volt, 7AH battery and 18VAC, 50VA class II transformer (120 Volt, .59 Amp, 60 Hz)

REQUIRED COMPONENTS

- HCP-12SULC: 12VDC, low ripple, 1.25A continuous output power supply
- T1850: 120VAC, .59 Amp, 60 Hz class II step down transformer
- B1260: 12VDC sealed lead acid rechargeable battery
- E1414/TC1100: Attack resistant enclosure for UL listed commercial burglary applications
- F2600: Transformer enclosure

INSTALLATION

1. Locate and mount the HCP-12SULC power supply close to the unit to be powered.
2. Use 18 gauge wire to connect the HCP-12SULC and transformer. The separating distance between the transformer and the power supply should not exceed 50 feet.
3. Open the power supply and remove the required knockouts to install the wiring, as detailed in Figure 1.
4. Mount and connect the power leads (+ to red and - to black). **Note: For optimum operation, use a 12VDC, 7AH sealed lead acid rechargeable battery.**
5. Using 18 gauge two conductor wire, connect terminal 4 to the positive power input of the load device and terminal 3 to the negative terminal of the load device.
6. Connect the transformer to terminals 1 & 2 (no polarity observed). 18 gauge two conductor minimum should be used.
7. Mark the date of the installation and any subsequent replacement of the battery.

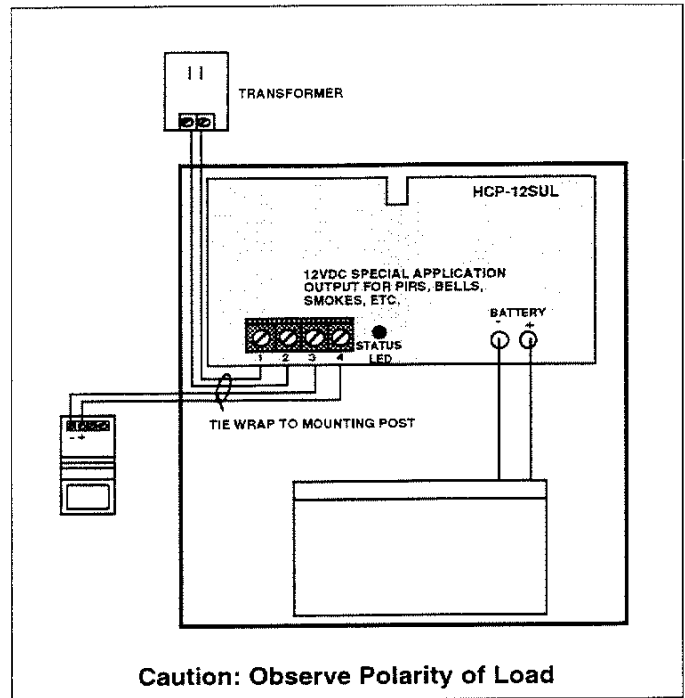


Figure 1

INSTALLATIONS USING CONDUIT

1. Mount a Moose Model F2600 transformer enclosure as close to the HCP-12SULC as possible.
2. Install the utility box and duplex outlet with cover in the transformer enclosure as shown in Figure 2.
3. Interconnect the pull box and the HCP-12SULC with conduit, and wire the transformer to the HCP-12SULC in accordance with local wiring codes.
4. Plug the transformer into the duplex outlet and secure the transformer. Refer to Figure 2.
5. Mark the installation date on the battery or cover of the HCP-12SULC. Date any subsequent replacements of the battery.
6. **Caution:** Do not connect to an outlet controlled by a switch.
7. Transformer enclosure required for UL Fire installations.
8. Transformer retaining screw shall be used for all applications.

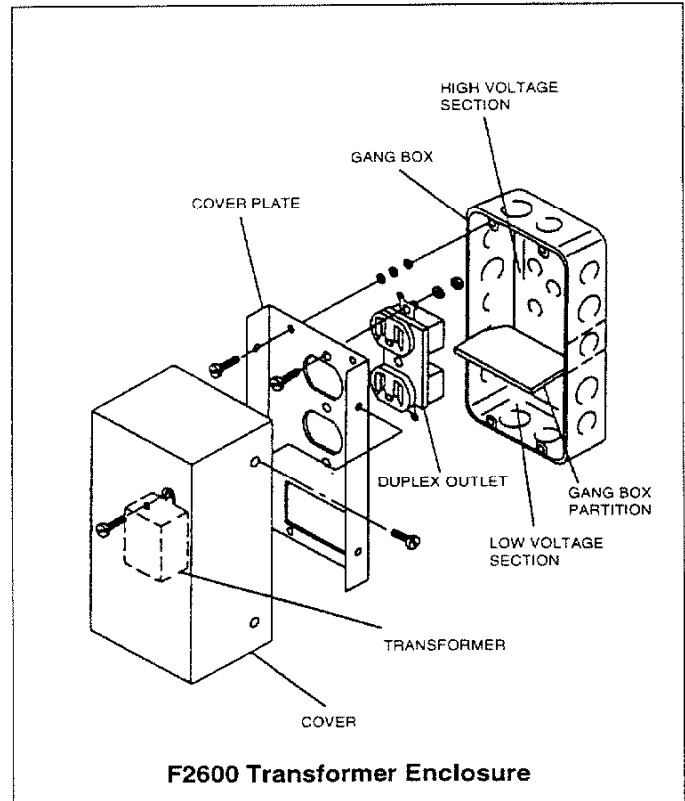


Figure 2

APPROVALS LISTING INFORMATION CHART

Type of Alarm System	UL Standard Number Covering Equipment	Standby Time Required	Maximum Equip. Load
Mercantile Alarm	UL 1635, UL365 UL609, UL611 UL 639	4 Hours	1.25 Amps
Holdup Alarm	UL 636	8 Hours	500 mA
Household Burglar Alarm	UL 1023	4 Hours or as marked	1.25 Amps (4 Hours)
Proprietary Alarm	UL 1076	24 Hours	250 mA
Household Fire Alarm	UL 985	24 Hours or as marked	250 mA
Fire Alarm	UL 864	24 Hours	250 mA
Home Health Care Equip.	UL 1637	4 Hours 24 Hours	1.25 Amps 250 mA
Alarm Sounding Device	UL 1023,1481,and 603	4 Minutes	2.0 Amps

TESTING AND INSPECTION

1. Check the LED status indicator. It should remain steadily lighted.
2. Check the battery installation/replacement record. The battery must be replaced at least every five (5) years or if it fails to test properly.
3. Disconnect the AC input. The LED should be flashing. Allow the appropriate standby time to expire and test the operation of the loading device, e.g., if motions are connected, walk test the units; if protective signaling equipment is connected, activate it.

Note: At no time may the load on the HCP-12SULC exceed 2.5 Amps.

LOW BATTERY CUTOFF

The unit will automatically shut down if the battery voltage falls below 8.0 volts.

LED OPERATION

Operation of the HCP-12SULC is automatic and may be visually monitored by observing the LED (D1) on the cover of the unit.

<u>LED</u>	<u>AC Power</u>	<u>Battery Condition</u>
On	On	Charging
Blinking	Off	Charged but depleting
Off	Off	Discharged or the DC output is overloaded

UL LISTINGS

The HCP-12SULC is UL listed for residential burglary, fire, and home health care. For commercial burglary and/or fire, the E1414 enclosure and TC1100 tamper cover are required.

MOOSE 

A PRODUCT OF SENTROL, INC

SENTROL CONTROLS GROUP

PO Box 2904

1510 Tate Blvd. SE

Hickory, NC 28603

Sales: 800.547.2556

Fax: 503.691.7566

Technical Support: 800.800.2027

Sentrol, Inc. reserves the right
to change specifications
without notice.

©1995 Sentrol, Inc.

64812502C