

# DPX9m

## Owner's Manual

and

## Operating Instructions

*Instructions for basic operation and installation*

*Printing Revision 2*

*Version 2.0*



***Advanced Technology Video, Inc.***

14842 NE 95th Street · Redmond, Washington 98052

Phone 888/288-7644 · 425/885-7000 · Fax 425/881-7014

Customer Service: [sales@atvideo.com](mailto:sales@atvideo.com)

Technical Service: [tech@atvideo.com](mailto:tech@atvideo.com)

Home Page: <http://www.atvideo.com>

## Table of Contents

Introduction .....	3
Operational Features Description .....	3
Live Camera Displays .....	3
Activity Detection and Alarming .....	3
Multiplexer Recording/Playback .....	3
DigiLock™ and Playback .....	4
VCR Bypass .....	4
Call Monitor .....	4
Advanced Alarm System with Alarm Scheduling .....	4
Alarm Log and Printing .....	4
Variable Zoom .....	4
Getting Started.....	5
Installation Steps .....	5
Rear Panel Connections .....	6
Top Cover Removal .....	6
Video Line Termination Switches .....	6
Operation.....	7
VCR Bypass Function Operation .....	8
Call Monitor Operation.....	8
Remote Control Operation .....	8
Activity Detection Operation.....	8
Set Up Menus .....	9
Main Menu .....	9
Time/Date Setting .....	9
Time & Date Display Options .....	10
VCR Set Up .....	10
VCR Selection.....	10
Advanced Function Menus.....	11
Camera Set Up .....	11
Camera Label Changing .....	11
CUSTOMPLEXING™ (Camera Recording Priority).....	11
Camera Monitor Disable .....	12
Activity Detection Set Up.....	12
Display Sequence Set Up.....	13
Dwell Adjustment .....	13
Display Sequencing Format .....	13
Sequencing Format Screens.....	14
Alarm Set Up.....	15
Alarm Enable .....	15
Video Loss Alarms .....	15
Alarm Scheduling.....	15
Set Alarm Enable Schedule .....	16
Enable Scheduled Alarms .....	16
Alarm Control Options.....	17
Alarm Dwell Adjustment .....	17
Alarm Activation Type .....	18
Alarm Log .....	18
Other Options.....	19
Security Set Up.....	19
Advanced VCR Options.....	20
Camera Switch Input.....	20
Hand Held IR Remote Control.....	21
Programming Your ATV DPX9m Remote Control.....	21
What to do if Your VCR is not on the Supported List.....	22
Programming a Custom Delay Table (Advanced Option).....	22
What is the "Delay Table"?. .....	22
Determining Delay Values.....	22
Edit Delay Table .....	23
How do I verify the correct "Values"?. .....	23
Alarm Interconnection on the DPX9m .....	24
RS-232 Remote Control Interface .....	26
Supported VCRs .....	27
Equipment Requirements.....	28
Specifications.....	28
Warranty Information .....	29
YEAR 2000 CONFORMANCE .....	29
LIMITATION OF WARRANTY .....	29
FCC Statement .....	29

## **INTRODUCTION**

Thank you for purchasing Advanced Technology Video's DPX9m nine camera B/W Duplex Multiplexer. This instruction manual describes the powerful features of this product for basic and advanced operation. It also covers the installation steps that will allow quick and easy integration into your security system.

The following section provides an overview of the operational features of the DPX9m. If you are familiar with the DPX9m, you should proceed to the "Getting Started" section on the following page for step by step installation instructions.

## **OPERATIONAL FEATURES DESCRIPTION**

### **Live Camera Displays**

The DPX9m will initially be in the live camera display mode whenever power is applied to the unit. Live cameras can be displayed in 3x3, quad, PIP, dual PIP, split screen, squish screen, or full frame formats. In addition, any display may be frozen using a front panel button, the IR remote control, or external signal input. In any of these display modes, the unit can be programmed to sequence one or more cameras with a programmable dwell time. All live camera displays, with the exception of 3x3 format, are in real time (30 frames/60 fields per second NTSC/EIA, or 25 frames/50 fields per second PAL/CCIR). The DPX9m is compatible with monochrome (B/W) and color cameras.

### **Activity Detection and Alarming**

The DPX9m's advanced video processing capability provides an activity detection function for each camera input. Activity Detection, for each camera, can be programmed in 240 regions (cells) and may be selectively enabled to provide an "alarm" condition for the multiplexer. See "Activity Detection Operation" on page 8 for further information regarding the configuration and use of this feature.

### **Multiplexer Recording/Playback**

The DPX9m records each camera individually onto a single video frame of the VCR tape at a rate compatible with the VCR recording speed (record hours mode). Proper VCR playback operation requires that the DPX9m be set up to multiplex at the rate which is compatible with your VCR recording speed (see page 10). During multiplexing, a single frame from each camera is alternately output to the VCR with the factory default set so that each live camera is given an equal number of frames on the tape. Dead or unconnected camera inputs will not be recorded. In order to optimize recording for your security situation, the frequency with which individual camera inputs are sampled for multiplexing may be optionally configured using either Activity Detection or the Customplexing™ camera priority function. When Activity Detection is enabled, the multiplexing rate of a camera is automatically increased when activity is detected in the camera's image. Cameras with activity will be sampled more often than cameras with little or no activity. When Activity Detection is disabled, the Customplexing™ feature is automatically enabled and up to four levels of multiplexing priority can be set for each camera using the "Recording Priority" set up menu (more frames are given to high priority and less frames to low priority). Alarm events will automatically raise the recording priority of the alarming camera to the highest level during the alarm condition. While multiplex recording is active, the live display mode can be set to any mode (3x3, quad, PIP, Dual PIP or full screen, etc.) without affecting the multiplex recording function.

In VCR playback mode, cameras can be displayed in 3x3, quad, PIP, dual PIP, split screen, squish screen, or full frame formats. In addition, any display may be frozen. VCR playback incorporates digital decoding of the camera number from the tape so that screen images on the monitor may be updated at the rate that images appear on the tape. The default refresh rate of the playback monitor is the playback rate divided by the number of cameras being multiplexed. This will change when alarmed cameras or dead cameras are present or camera priorities have been changed.

### **DigiLock™ and Playback**

In VCR playback mode, digital information is used to compensate for the poor vertical synchronization signals frequently encountered with time lapse VCRs.

The DPX9m DigiLock™ decoding reconstructs the timing such that successfully decoded frames are displayed with minimal “jumping”, “tearing” or other side-effects of poor synchronization.

### **VCR Bypass**

Many VCRs have on-screen programming menus that require a monitor for programming the VCR. The DPX9m includes a “VCR Bypass” feature which facilitates VCR programming by allowing the DPX9m VCR input (VCR’s video output) to be routed directly to the display monitor. The “VCR Bypass” mode can also be used to directly view the VCR’s output for adjusting tracking or verifying proper VCR connections to the DPX9m.

### **Call Monitor**

An additional, separate monitor function is provided to allow simultaneous viewing of full screen camera displays and full screen alarm or sequenced cameras. The Call Monitor output is always a full screen call up of any input camera. The camera to be viewed can be selected manually or may be selected automatically as the alarming camera. In addition, this output can be set to sequence through all cameras. The default mode is sequencing. See “Call Monitor Operation” on page 8 for instructions on the operation of the Call Monitor.

### **Advanced Alarm System with Alarm Scheduling**

The DPX9m contains the most advanced and flexible Alarm System available in a video multiplexer. The DPX9m Advanced Alarm System supports several programmable alarm types including external input, Activity Alarms, and Video Loss Alarms. In addition, the DPX9m alarm system can be enabled and disabled through a 7-day Alarm Schedule and/or a user programmable external Master Enable signal.

The DPX9m has nine, alarm “channels” associated with the nine camera inputs. Each alarm “channel” includes a programmable external input, video Activity Alarm, and Video Loss Alarm. External alarm inputs are individually selectable for contact closure or opening as well as logic levels (+5V, 0V). Each alarm “channel” may also be individually selected for enable/disable through the DPX9m Alarm Schedule. The Alarm Schedule is a 7-day timer schedule with a single ON and OFF time associated with each day of the week. The DPX9m also has an external input signal that can be selected between picture Freeze and Alarm Master Enable. The Alarm Master Enable signal can be used in conjunction with your burglar alarm control panel so that the alarm control panel can enable or disable the DPX9m alarm system. See page 15 for further information on Alarm Scheduling and DPX9m alarm features.

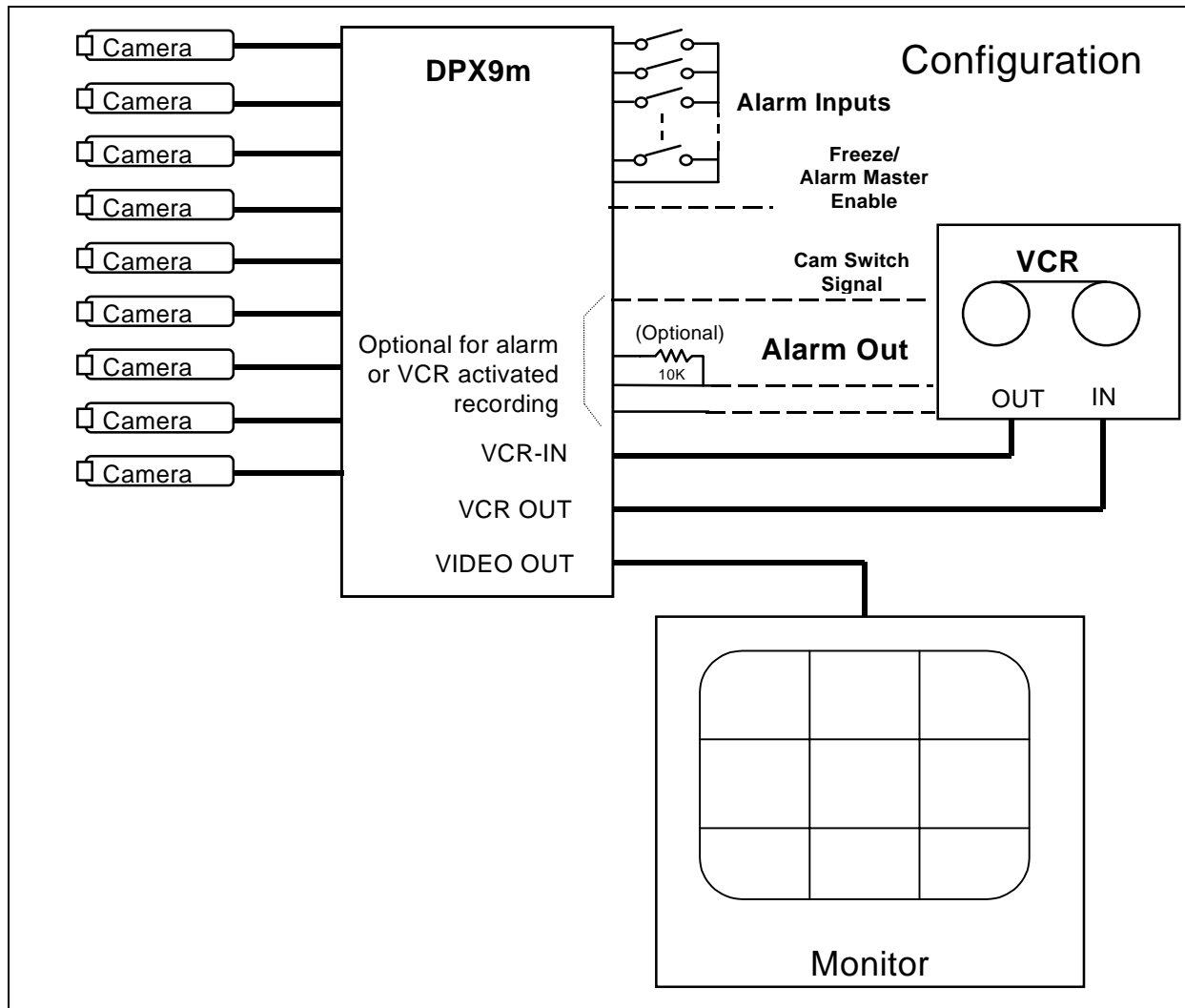
### **Alarm Log and Printing**

The DPX9m has an internal Alarm Log that provides storage for up to 100 alarm events. In addition, its text can be transmitted to the serial port for printing or storage on a host computer. The Alarm Log is a “circular” storage buffer so that the most recent alarm events are always stored. In addition to the Alarm Log, alarm event text can also be sent directly to the serial port, when an event occurs, for immediate printing or external processing. Alarm events, which may be printed and stored in the Alarm Log, include any enabled External Alarms, Activity Alarms, or Video Loss Alarms. See “Alarm Set Up” on page 15 for instructions on the use of the DPX9m alarm log and printing features.

### **Variable Zoom**

The DPX9m has an easy to use variable magnification and adjustable position Zoom capability. The front panel buttons marked with arrow symbols are used to adjust the position of the Zoom window and the Zoom button and VCR button are used to “zoom in” and “zoom out” respectively. Zoom is available in live camera and VCR playback modes.

**GETTING STARTED**



The above diagram shows the typical 9-camera installation for the DPX9m. Up to nine cameras can be connected to the multiplexer using the back panel connectors. Note that the VCR and monitor connections must be as shown above for proper operation.

**Installation Steps**

The following steps should be followed to ensure proper connection and set up of your DPX9m. A diagram showing the overall connection configuration of the DPX9m is shown above. The installation steps are:

1. Connect your cameras, monitor, and VCR to the DPX9m as shown above. Refer to the "Back Panel Connections" and "Video Termination Switches" sections on the next page for proper connections and switch settings for your particular installation. Power up the DPX9m and **enter the DPX9m set up menus** by pressing and holding the **DISPLAY** button for approximately 3 seconds. Refer to the "Set Up Menus" section of the manual starting on page 9.
2. Set the current time, date, and day of the week in the DPX9m using the "Set Time/Date" menu.

3. Determine the record speed (record hours format) you will use with your VCR and set up the DPX9m to work with your VCR using the "VCR Set up" and "VCR Selection" menus (see page 10).
4. Exit the DPX9m menus by pressing the DISPLAY button to exit each menu and finally the menu system.
5. If your VCR has internal "on-screen" menus for its set up, use the "VCR Bypass" feature of the DPX9m (see the "VCR Bypass Operation" description on page 8) to view the VCR's "on-screen" menus on the display monitor.
6. At this point, the basic configuration of your DPX9m is complete. You may now proceed to set more advanced functions as required for your installation (alarms, camera labels, multiplexing options, etc.). Refer to the "Advanced Function Menus" starting on page 11 for detailed information for the feature(s) you require.

### REAR PANEL CONNECTIONS

The nine camera input BNC connectors each have a looping output and the factory default configuration of each 75 Ohm termination is ON. Five DIP switches inside the unit (see section below) determine whether the termination is ON or OFF for each camera input.

The DPX9m has 75 ohm BNC video outputs for the main and call monitors. Connect a 75 ohm coax cable between the "Main" monitor output and your primary monitor input. Connection of a separate monitor to the "Call" monitor output is optional.

Connect a 75 ohm coax cable from the "VCR IN" BNC to the video output of the VCR and a 75 ohm coax cable from the "VCR OUT" BNC to the video input of the VCR.

The alarm connector is a standard DB-15 type that will mate with the alarm wire adapter board or standard computer-type cable. See page 24 for further alarm connection information.



REAR PANEL

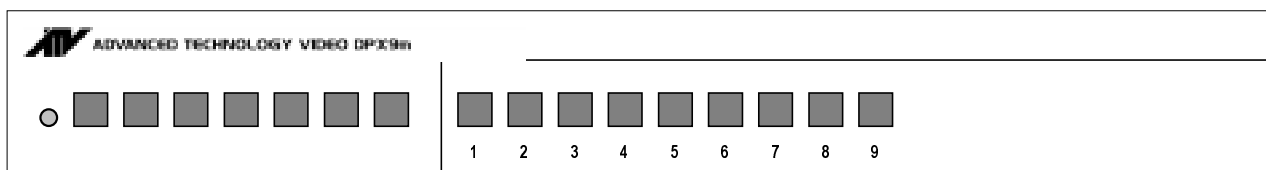
### TOP COVER REMOVAL

The top cover of the DPX9m should only be removed if it is necessary to adjust input termination settings, or RS-232 port settings. To remove the top cover, remove the 4 screws on each side. Gently slide the top cover back until the cover disengages from the plastic front panel bezel and then lift the cover off the chassis. **DO NOT ATTEMPT TO PULL THE COVER DIRECTLY UPWARD WITHOUT DISENGAGING IT FROM THE FRONT BEZEL.**

### VIDEO LINE TERMINATION SWITCHES

The video line termination switches for each camera input are accessed by removing the top cover. The switches are located in pairs near the back panel on the main circuit board. Each switch pair is marked on the circuit board and the 75 Ohm termination is enabled when the switch is in the "ON" position. The factory default setting for each input is 75 Ohm termination "ON". Also note that there is an additional termination switch for the VCR input.

## OPERATION



Your DPX9m has seven mode control buttons and nine numbered "camera" buttons which allow easy access to all modes of operation. The seven mode buttons on the left are used to control monitor display operations and VCR playback. An LED below each button will light when the unit is in the mode corresponding to that button. Note that live camera display modes **do not** affect multiplex recording. Following is a summary of each button's function and the DPX9m operating modes.

### DISPLAY

This button cycles the monitor display through the 3x3 and quad displays in live or VCR playback modes. In addition, it will return the unit to the 3X3 display mode from any other display mode. Successive button pushes change the display operation from 3x3, to quad, then back to 3x3, and so forth. A push and hold of this button for approximately 3 seconds will bring up the DPX9m set up main menu. To view additional cameras in the quad display mode, push the SEQUENCE button and the DPX9m will sequence the display through the available cameras. You can stop on any set of cameras by pushing the SEQUENCE button again to stop SEQUENCING.

### FREEZE

In all display modes (except Zoom), a press on this button will freeze the camera image(s) on the monitor display (the multiplex output to the VCR recording is still live during all display modes). Another push of this button will deactivate the "freeze" mode. A push and hold of this button for approximately 3 seconds will put the DPX9m front panel into Call Monitor control mode (see "Call Monitor Operation" on page 8). This button is also used to pan "left" in Zoom mode.

### SEQUENCE

A button press will activate the camera sequencing for the present mode (except Zoom) and another push of this button will deactivate the "sequencing" mode. The default camera hold time is 3 seconds. A button press during "VCR Playback" mode will cause a multicamera display to switch to the next set of cameras. This button is also used to pan "right" in Zoom mode.

### PIP

When starting in the 3x3, quad, or full screen camera display in live display or VCR playback modes, pressing the PIP (Picture-in-Picture) button will cause the unit to switch to the "Single PIP" display. Additional presses will cycle the unit through "Dual PIP", "Split Screen", "Squish Screen", "Full Frame" and back to "Single PIP" displays. How cameras will appear in these displays is programmable (See "Display Sequence Set Up" on page 13). This button is also used to pan "up" in Zoom mode.

### QUADRANT

This button rotates the orientation of the cameras clockwise on the screen into the desired positions in "PIP", "Dual PIP", "Split Screen", and "Squish Screen" display modes. This button is also used to pan "down" in Zoom mode.

### ZOOM

The ZOOM function will expand the selected portion of a full frame camera image. A button press will cause a box to appear on the screen that indicates the image area that will be expanded. Successive button presses will increase the magnification factor from 2X to 4X.

### VCR

Pressing this button will switch monitor display from the live camera display mode to the VCR playback mode. The LED indicator will light to show that VCR playback is now possible. The display will initially be in 3x3 mode and the monitor screen will show the message "VCR Playback". To see non-multiplexer images (VCR setup menus for example) or to troubleshoot VCR tracking or other problems, the "VCR Bypass" function is used. See the following page for a description of the "VCR Bypass" function. When the DPX9m is in Zoom mode, this button will cause the image to "zoom out" to the next lower magnification factor and eventually back to full screen.

### **VCR Bypass Function Operation**

An approximately 3 second long press of the VCR button activates the “VCR Bypass” function and the VCR LED will flash while the unit is in “VCR Bypass” mode. While in this mode, the DPX9m will pass the VCR output directly to the main display monitor. A single push of the VCR button will return the unit to normal VCR playback mode and/or back to live display mode. The VCR output is also available on the Call Monitor.

### **CAMERA Buttons (1 Through 9)**

The individual camera buttons 1 through 9 are used to select which camera is to be used for display purposes during live display or VCR playback modes. In addition, Camera buttons 1 through 9 are used in the DPX9m set up menus.

### **Call Monitor Operation**

The Call Monitor output is always active and is independent of the main display monitor. The camera, which is viewed on the Call Monitor, may be selected by pressing the FREEZE button (except while in Zoom mode) and holding it for approximately 3 seconds. When the DPX9m is in “Call Monitor mode”, the FREEZE LED will flash on and off. At this time, any camera that is “alive” may be selected by pressing the CAMERA button. In addition, the Call Monitor output may be set to sequence through “alive” cameras by pressing the SEQUENCE button. The SEQUENCE LED will light and the Call Monitor output will sequence through all “alive” cameras. The Call Monitor output defaults to “sequencing” mode and will automatically display any “alarming” camera. It is also possible to view the VCR IN and VCR OUT signals using the Call Monitor. When in “Call Monitor” mode, a single press of the VCR button will display VCR IN on the Call Monitor. A second press of the VCR button will display VCR OUT. Successive presses of the VCR button will toggle the Call Monitor display between VCR IN and VCR OUT.

### **Remote Control Operation**

The IR remote control provided with your DPX9m has a limited set of buttons and operation with the remote control is slightly different than the DPX9m front panel. The remote control has a single CAMERA button for selecting cameras and successive button presses will rotate through the available cameras. Sequencing is initiated by pressing and holding the remote control’s FREEZE button for approximately 3 seconds. Pressing and holding the remote control’s “PIP” button for approximately 3 seconds accesses the Call Monitor mode. Pressing and holding the “QUADRANT” button for approximately 3 seconds accesses the ZOOM function. **Note that menus are not available through the remote control and the remote control must be programmed any time the batteries are removed.** See “Programming Your ATV DPX9m Remote Control” on page 21.

### **Activity Detection Operation**

The Activity Detection feature of the DPX9m can be used to control camera multiplexing and optionally generate alarm conditions. Activity Detection, when enabled, will be active on every “live” camera input and can be individually customized for each camera. Activity Detection control and set up is found in the “Camera Set Up” menu on page 11.

There are two programmable settings possible for each camera under the “Activity Detection” menu on page 12; “Activity Threshold”, and “Activity Zones”. The “Activity Threshold” is a relative sensitivity level for activity within the entire camera image. Higher numbers represent a higher threshold value and therefore a lower sensitivity to activity. In order to allow areas of an image to be enabled or disabled for activity detection, each camera’s image is divided into 240 regions (15 columns by 16 rows). The “Enable/Disable Activity Zones” option in the “Activity Detection” menu is used for programming of these regions for each camera. To facilitate the identification of areas of an image with activity, an “auto detection” mode for “Activity Zones” and “Activity Threshold” programming is provided. The on-screen instructions allow efficient configuration of each camera’s Activity Detection settings.

**Note that camera multiplexing priority is determined by *either* Activity Detection or Customplexing™, but not both simultaneously.** When Activity Detection is enabled, Customplexing™ camera priority settings are **not** used to determine camera multiplexing priority. Similarly, when Activity Detection is disabled, Customplexing™ camera priority settings, and not Activity Detection, are used to determine multiplexing priority.



## SET UP MENUS

The DPX9m set up is accomplished through its on-screen menus. To enter the menu system, push and hold the **DISPLAY** button for approximately 3 seconds. The display will then show the top level menu. Selection of any menu item is done with the camera select keys on the front panel. Selecting **DISPLAY** will exit the present menu level. Note that since the DPX9m operating modes are affected by menu settings, **the DPX9m will not operate as desired until the menu system is exited**, returning the DPX9m to its normal operating mode.

### Main Menu

Selecting:

1. Enters "Set Time/Date" menu to program the internal clock and select time and date display options.
2. Enters "VCR Set Up" menu to select VCR type and recording format (Hours).
3. Enters "Camera Set Up" menu to program camera labels and set recording priorities.
4. Enters display "Sequence Set Up" menu to set the sequence cameras will be displayed.
5. Enters "Alarm Set Up" menu to enable/disable alarms and program alarm action.
6. Enters the "Other Options" menu where you can select remote control code, program a security code for locking out the menus and the front panel buttons, change text color and background, or reset the unit to factory defaults.
7. Selects the language used for DPX9m menus and messages.

Advanced Technology Video  
DPX9m V2.0

1: Set Time/Date . . .  
2: VCR Set Up . . .  
3: Camera Set Up . . .  
4: Sequence Set Up . . .  
5: Alarm Set Up . . .  
6: Other Options . . .  
7: Language: English

Camera: Select  
DISPLAY: Exit Menu System

### Time/Date Setting

Time and date for the on-screen calendar and clock is set from this menu.

Selecting:

1. Edits the hour of the day. In 24 hour mode, 0 through 23 is accepted as entered.
2. Edits the minutes field. Only values 0 through 59 are accepted.
3. Edits the seconds field. Only values 0 through 59 are accepted.
4. Edits the day of the month. Only valid values for the month selected will be accepted.
5. Advances the month with each press.
6. Edits the year.
7. Advances the Day of Week field with each press.
8. Toggles the format between 24 hour and 12 hour, AM or PM.
9. Enters the time and date "Display Options" menu to position the display on the screen.

#### Set Time/Date

06:30:00                      23 MAR 98 MON

1: Edit Hours                      4: Edit Day  
2: Edit Minutes                      5: Edit Month  
3: Edit Seconds                      6: Edit Year

7: Edit Day of Week  
8: Time Format AM/PM/24hr  
9: Other Display Options . . .

Camera buttons 1-7 to select field  
Camera button 8 to select format  
Camera button 9 for other options  
DISPLAY: Accept and Return

The times shown in this menu come directly from the internal clock. Actual time is constantly changing while new values are entered. All the values shown on the screen are updated any time one of them is entered. To accurately set the clock to the desired time, edit the "SECONDS" field last. The current time and date are preserved if a new entry is not accepted or completed.

### Time & Date Display Options

This menu determines the display behavior of the date and time information for both the VCR and monitor camera displays.

Selecting:

1. Toggles the time and date display location through any one of the four display quadrants for live camera displays.
2. Toggles the time and date for the monitor display ON/OFF.
3. Toggles the time and date for the VCR display ON/OFF.

### VCR Set Up

Selecting:

1. Enters the "VCR Selection" menu for setting of a particular make and model of VCR.
2. Toggles the VCR record time format through up to 8 possible settings plus "Cam Sw Input" for the selected VCR. The default value is 24 Hour format. **Note that if the "Cam Sw Input" is used, it must be selected for both the VCR and Alarm recording formats.**
3. Toggles the VCR record time format as in #2 above for an alarm condition. If the value chosen is different from the "VCR Format", the VCR must be wired to the multiplexer's alarm output so that it changes to the recording rate selected under an alarm condition. The default value is 2 Hour format.
4. Enters "Advanced VCR options" menu for customization of the delay table, video format, and playback discriminator functions. See the "Advanced VCR options" menu on page 20.

### VCR Selection

Selecting:

- 1 - 9** Selects a particular VCR from the displayed list. The first two entries are for standard 12 and 24 hour steps which will accommodate most VCRs. "Standard 12 Hr steps" is the factory default.
- PIP** Pages the list forward for more selections. The display will cycle back to the first page after the last page is reached.

**If your VCR is not on the list, use a "Standard steps" selection.** Determine which of the "Standard steps" (12 or 24 Hour) is correct for your VCR by looking at your VCR manual or directly at your VCR. For time settings which are a multiple of 12 hours (2, 12, 24, etc.), use the Standard 12 Hour steps. If time settings are a multiple of 24 hours (2, 24, 48, etc.), use the Standard 24 Hour steps. If your VCR settings do not correspond with the either the 12 or 24 Hour Standard steps, refer to the section "What to do if your VCR is not on the supported list" (page 22).

#### Other Display Options

- 1: Location Lower Right
- 2: Display On
- 3: VCR On

Camera: Select  
Location is fixed in 3x3.  
DISPLAY: Accept and Return

#### VCR Set up

Current VCR: Standard 12Hr steps

- 1: VCR Selection . . .
- 2: VCR Format: 24 Hr
- 3: VCR Alarm Format: 2 Hr
- 4: Advanced VCR options . . .

PIP: Restore Default Settings  
Camera: Select  
DISPLAY: Accept and Return

DISP LAY: Previous Menu

#### VCR Selection

Current VCR: Standard 12Hr steps

- 1: Standard 12Hr steps
- 2: Standard 24Hr steps
- 3: Custom Delay Table
- 4: Atsutsa TL VCR251
- 5: Atsutsa TL VCR964
- 6: Chugai CTR-024NC
- 7: Gyyr 1400
- 8: Gyyr 1550X
- 9: Gyyr 2051X Long

Camera 1-9: Select VCR  
PIP: Next Page  
DISPLAY: Previous Menu

## ADVANCED FUNCTION MENUS

This section describes the use of the advanced functions of the DPX9m. The following features allow you to customize the operation of your DPX9m as necessary to complete your installation.

### Camera Set Up

This menu determines the display behavior of the camera labels and allows access to menus for entering/changing labels, setting up camera record priority, disabling of a camera in the live display, or to set up Activity Detection. Like time and date, both the VCR and monitor displays can be independently enabled/disabled.

Selecting:

1. Toggles the camera labels ON/OFF for the monitor display.
2. Toggles the camera labels ON/OFF for the VCR display.
3. Toggles Activity Detection ON/OFF for all cameras.
4. Enters "Change Labels" menu to review, enter, or change camera labels.
5. Enters the "Recording Priority" menu (CUSTOMPLEXING™ function).
6. Enters the "Monitor Disable" menu to allow a camera to be turned off in the live display.
7. Enters "Activity Detection" menu to program Activity Detection options on each camera input.

<p>Camera Set Up</p> <p>1: Labels on Display: On                  2: Labels on VCR: On                  3: Activity Detection: On                  4: Change Labels...                  5: Recording Priority...                  6: Monitor Disable...                  7: Activity Detection . . .</p> <p>PIP: Restore Default Settings                  Camera: Select                  DISPLAY: Accept and Return</p>
---

### Camera Label Changing

This menu is used for adding/changing labels that are associated with each of the nine cameras.

Selecting:

- 1 - 9** Selects the camera for editing and exposes the legend at the right hand side of the screen. After pressing a Camera **1-9** button, the display will appear as shown.

Since we have a limited set of front panel buttons **PIP** button is used to input characters. Using the legend, any character can be entered in the present character location. The **VCR** button is used to move to the next location (to the right).

<p>Change Labels</p> <p>1: _ . . . . .                  2: CAM 2                  3: CAM 3                  4: CAM 4                  5: CAM 5                  6: CAM 6                  7: CAM 7                  8: CAM 8                  9: CAM 9</p> <p>VCR: Next Character                  DISPLAY: Accept Label</p>	<p>Characters</p> <p>PIP: Space 0</p> <p>1: ABC1                  2: DEF2                  3: GHI3                  4: JKL4                  5: MNO5                  6: PQR6                  7: STU7                  8: VWX8                  9: YZ9</p>
--	---

### CUSTOMPLEXING™ (Camera Recording Priority)

Selecting:

- 1 - 9** Toggles the camera between High (Factory Default), Alarm Only, Low, and Medium priorities.

**When the Activity Detection feature is OFF**, the camera priorities affect how frequently a camera's image is stored. The factory default is all cameras set to "High Priority". Using the factory defaults, the camera multiplexing ordering is:

1,2,3,4,5,6,7,8,9,1,2,3,4,5,6,.....

The DPX9m priority method gives medium priority cameras twice as many frames as low priority cameras. Similarly, high priority cameras get twice as many frames as medium priority cameras. "Alarm Only" cameras are not

<p>Recording Priority</p> <p>Activity Detection Enabled</p> <p>1: High                  2: High                  3: High                  4: High                  5: Medium                  6: Medium                  7: Alarm Only                  8: Alarm Only                  9: Low</p> <p>Camera: Select                  DISPLAY: Accept and Return</p>
---

recorded unless their alarm inputs are stimulated and there is a live video signal present. "Alarm Only" cameras, under alarm conditions, will be multiplexed like any other alarm camera. Dead or non-existent cameras will not be recorded.

Cameras under alarm conditions have a higher priority than "High Priority" cameras and will be given twice as many frames. Even under multiple alarm conditions, all cameras are guaranteed some VCR frames. It is not possible to disable multiplexing of alarmed cameras without disabling the alarm input itself (which will prevent both monitor and VCR alarm activity).

### Camera Monitor Disable

This menu allows an individual camera to be eliminated from the monitor live mode display and the Call Monitor while the camera continues to be recorded (multiplexed). A "Record Only" camera is replaced by the "gray background" in live display. A "Record Only" camera's video is still multiplexed.

Selecting:

- 1 - 9** Toggles the camera's live display from "Display" (on Monitor) to "Record Only". The default is "Display" (on Monitor).

In the example shown, Camera 9 is set to "Record Only" and its image will be replaced by the "gray background" in live displays. Also note that the presence of the camera signal is still detected on any camera set to "Record Only". The "No Video" indication will be given on the live display along with the "gray background" if the camera's signal is not present.

### Activity Detection Set Up

This menu is used to access and program Activity Thresholds and to enable and disable Activity Zones for each individual camera input. The camera's Activity Threshold determines the sensitivity to change within an image that will trigger detection by the DPX9m activity detection processing. Activity Zones are the regions within an image where activity information is acquired and processed. A camera image is divided into 240 "activity zones" (15 columns x 16 rows), each of which may be enabled or disabled for activity detection processing. If regions of the camera's image normally have constant activity, and this is not desired to trigger an alarm or increase the multiplexing rate for the camera, that "zone" can be disabled from activity detection processing.

Selecting:

- 1. Enters "Activity Thresholds" menu to select camera and set thresholds.
- 2. Enters "Enable/Disable Activity Zones" menu to select camera and program activity detection regions.

Monitor Disable

- 1: Display
- 2: Display
- 3: Display
- 4: Display
- 5: Display
- 6: Display
- 7: Display
- 8: Display
- 9: Record Only

Camera: Select  
DISPLAY: Accept and Return

Activity Detection

- 1: Activity Thresholds . . .
- 2: Enable/Disable Activity Zones . . .

Camera: Select  
DISPLAY: Accept and Return

## Display Sequence Set Up

The DPX9m has a programmable display sequence format for display modes that support sequencing. The image hold (dwell) time is also programmable.

### Dwell Adjustment

Selecting:

- 1** Selects the dwell time for edit.

While editing:

- 1 - 9** Used to enter digits "1" through "9".  
**PIP** Used for a "0" entry.  
**DISPLAY** Completes the entry if less than 3 digits and returns to the previous value if no digits are entered.

### Display Sequencing Format

A unique feature of the DPX9m is the option to customize the display sequence format to suit your application. You can program a specific selection of cameras for sequencing.

Selecting:

1. Enters edit mode for dwell time (see above).
2. Enters "Full Camera Call Up" format menu.
3. Enters "3x3" format menu.
4. Enters "Quad" format menu.
5. Enters "PIP" format menu.
6. Enters "Dual PIP" menu.
7. Enters "Split Screen/Squish Screen" format menu.

Note that any changed camera display sequence will not be applied until the display sequencing mode is activated by the front panel button.

Display Sequence Set Up

1: Hold Image for: 3 Seconds  
 2: Full Camera Call Up...  
 3: 3x3 . . .  
 3: Quad . . .  
 4: PIP. . .  
 5: Dual PIP. . .  
 6: Split/Squish Screen...

PIP: Restore Default Settings  
 Camera: Select  
 DISPLAY: Accept and Return

Display Sequence Set Up

1: Hold Image for: 3 Sec.  
 2: Full Camera Call Up...  
 3: 3x3  
 3: Quad . . .  
 4: PIP. . .  
 5: Dual PIP. . .  
 6: Split/Squish Screen...

PIP: Restore Default Settings  
 Camera: Select  
 DISPLAY: Accept and Return

**Sequencing Format Screens**

The above screens show the factory default values. You can customize any or all formats, and may

Full Camera Display Sequence

1: Cameras: 123456789

Enter Cameras you want displayed in the sequence

Camera: Select  
DISPLAY: Accept and Return

3x3 Display Sequence

1: Top Left 1 . . . . .

2: Top Center . 2 . . . . .

3: Top Right . . 3 . . . . .

4: Center Left . . . 4 . . . . .

5: Center . . . . 5 . . . . .

6: Center Right . . . . 6 . . . . .

7: Bottom Left . . . . . 7 . . . . .

8: Bottom Center . . . . . 8 . . . . .

9: Bottom Right . . . . . 9 . . . . .

Enter Cameras you want displayed in the sequence

Camera: Select  
DISPLAY: Accept and Return

Quad Display Sequence

1: Upper Left: 1 . . . 5 . . . 9

2: Upper Right: . 2 . . . 6 . . .

3: Lower Left: . . 3 . . . 7 . . .

4: Lower Right: . . . 4 . . . 8 . . .

Enter Cameras you want displayed in the sequence

Camera: Select  
DISPLAY: Accept and Return

PIP Display Sequence

1: Background: As is

2: Insert: 123456789

Enter Cameras you want displayed in the sequence

Camera: Select  
DISPLAY: Accept and Return

Dual PIP Display Sequence

1: Background: As is

2: Insert 1: 123456789

3: Insert 2: As is

Enter Cameras you want displayed in the sequence

Camera: Select  
DISPLAY: Accept and Return

Split/Squish Display Sequence

1: Left: As is

2: Right: 123456789

Enter Cameras you want displayed in the sequence

Camera: Select  
DISPLAY: Accept and Return

have more than one section of a multi-camera display defined for sequencing. For any particular camera display, cameras are sequenced in ascending numerical order and cameras cannot be repeated. **At least one camera must be selected for each position.** The DPX9m will not allow the last remaining entry to be deleted.

**Alarm Set Up**

Selecting:

1. Enters individual camera "Enable/Disable Alarms" menu.
2. Enters individual camera "Video Loss Alarms" enable/disable menu.
3. Enters "Set Alarm Enable Schedule" menu.
4. Enters "Enable Scheduled Alarms" menu.
5. Enters "Alarm Control Options" menu.
6. Enters "Alarm Log" menu.
7. Toggles options for displaying an alarming camera full screen call up among the following: "Call + Main" monitors, "Call Only", "Main Only", or "No Display". The default is "Call + Main".
8. Toggles Serial Alarm Output between "On" and "Off". The default is "Off". When Serial Alarm Output is "On", alarm event text will be sent directly to the serial port (printer) as well as the Alarm Log. The Serial Alarm Output does not need to be "On" in order to output (print) the Alarm Log.

Alarm Set Up
1: Enable/Disable Alarms . . .
2: Video Loss Alarms . . .
3: Set Alarm Enable Schedule . . .
4: Enable Scheduled Alarms . . .
5: Alarm Control Options . . .
6: Alarm Log . . .
7: Display Alarm on: Main + Call
8: Serial Alarm Output: Off
PIP: Restore Default Settings
Camera: Select
DISPLAY: Accept and Return

**Alarm Enable**

Selecting:

- 1 - 9** Toggles the selected camera alarm between "External Only", "Ext + Activity", "Activity Only", and "Off".

A camera alarm can come from Activity Detection (when it is enabled), or the external alarm input, or both. When an alarm event occurs on the alarm source enabled with this menu, an alarm output will be generated if the alarming camera input is enabled through the "Enable Scheduled Alarms" menu (See "Alarm Scheduling" on the next page). If the event is allowed to occur, the alarming camera(s) will be displayed, and the alarming camera(s) will have an increased multiplexing rate. When an alarm is disabled (Off), an alarm input will not affect any aspect of the VCR multiplexing, the live camera display or the Call Monitor display. Alarms that are turned off will not generate an alarm output.

Alarm Enable Type
Activity Detection Enabled
1: External Only
2: External Only
3: External Only
4: Ext + Activity
5: Ext + Activity
6: Activity Only
7: Activity Only
8: Off
9: Off
Camera: Select
DISPLAY: Accept and Return

**Video Loss Alarms**

Selecting:

- 1 - 9** Toggles the selected camera Video Loss alarm between "On" and "Off" (factory default).

An alarm will be generated upon loss of video input on any camera with the Video Loss Alarm enabled, provided the camera's alarming input is enabled through the "Enable Scheduled Alarms" menu. The "No Video" message will be displayed anytime a camera video input is not present, regardless of the alarm settings.

Video Loss Alarms
1: On
2: On
3: On
4: On
5: On
6: On
7: On
8: On
9: Off
Camera: Select
DISPLAY: Accept and Return

**Alarm Scheduling**

The DPX9m contains a very flexible and advanced alarming system designed to provide an optimum solution for any installation. Along with the ability to enable various types of alarm inputs, a built in 7-day timer may also be used to individually enable and disable each alarm. The following menus are used to set the timer and select which alarms the timer will control.

**Set Alarm Enable Schedule**

Selecting:

- 1 - 7** Selects a day of the week to modify "On" and "Off" times.
- 8** Copies the "On" and "Off" times of Monday to all the other weekdays (Tuesday – Friday).
- 9** Copies the "On and "Off" times of Saturday to Sunday.

When a day of the week is selected for scheduling (1-7), the display will change to reflect the time you are editing and additional button functions will be displayed. When editing times for a selected day, the **QUADRANT** button will set the alarm system to be "On All Day". Similarly, the **ZOOM** button will set the alarm system to be "Off All Day". When editing a time field, Camera buttons are used to enter digits 1 through 9 and the **PIP** button is used to enter 0. The **SEQUENCE** button will move to the next editable field up through the last editable field where it will accept the line and return the display to the non-edit mode as shown. The **DISPLAY** button will accept the current entry and move to the next editable field up through the last editable field where it will accept the line and return the display to the non-edit mode as shown. Note that the setting of the hours format in the "Time and Date" menu will determine the hours display in this menu. Also, note that when the system is in 12 hour time mode, the AM/PM field must also be edited. The menu display will change to reflect this when an AM/PM field is being edited. The factory default "On" and "Off" times for each day of the week are ON at 18:00 (6:00PM) and OFF at 06:00 (6:00AM).

Set Alarm Enable Schedule		
	On Time	Off Time
1: Monday	6:00PM	6:00AM
2: Tuesday	6:00PM	6:00AM
3: Wednesday	6:00PM	6:00AM
4: Thursday	6:00PM	6:00AM
5: Friday	6:00PM	6:00AM
6: Saturday	Off All Day	
7: Sunday	On All Day	
8: Copy Monday to Tuesday – Friday		
9: Copy Saturday to Sunday		
Camera: Select		
DISPLAY: Accept and Return		

**Enable Scheduled Alarms**

Selecting:

- 1 - 9** Toggles the selected camera alarm enable between "Normal" and "Scheduled". The factory default is "Normal" (not scheduled).

When "Normal" enable mode is selected, camera alarm event types selected through the "Alarm Enable Type" menu (see previous page) will generate an alarm. Similarly, when "Scheduled" enable mode is selected, the same camera alarm event will only generate an alarm if the current time and day of the week fall within the "On" and "Off" times specified in the "Set Alarm Enable Schedule" menu (see above). Camera alarm events occurring outside of the "On" and "Off" times specified will be ignored when the "Scheduled" enable mode is selected.

Enable Scheduled Alarms	
1:	Normal
2:	Normal
3:	Normal
4:	Normal
5:	Normal
6:	Normal
7:	Normal
8:	Normal
9:	Scheduled
Camera: Select	
DISPLAY: Accept and Return	



### Alarm Control Options

Selecting:

1. Enters the "Set Alarm Hold Times" menu.
2. Enters the "Set Alarm Activation Type" menu.
3. Toggles the External Control Input between picture "Freeze" (factory default) and alarm "Master Enable".
4. Toggles the alarm Master Enable Input Type between "Logic Low" (factory default) and "Logic High".

When the External Control Input is selected to be picture "Freeze", a single pulse on the input will freeze the current picture on the main display. Another single pulse will return the display to its normal updating mode. When the alarm "Master Enable" mode is selected, the entire DPX9m alarm system will be enabled or disabled by this input according to the logic level specified by the "Master Enable Input Type" setting. This input can be used to control the DPX9m alarm system from a burglar alarm system, or other external control system.

<p style="text-align: center;">Alarm Control Options</p> <p>1: Set Alarm Hold Times . . . 2: Set Alarm Activation Type . . . 3: External Control Input: Freeze 4: Master Enable Input Type: Logic Low</p> <p>Camera: Select DISPLAY: Accept and Return</p>
--

### Alarm Dwell Adjustment

Selecting:

1. Allows changing the alarm ACTIVATION HOLD time.
2. Allows setting of a MAXIMUM time for an alarm to be displayed.
3. Allows changing the monitor alarm display SEQUENCE DWELL time.

Some alarming devices (such as some motion detectors) generate very brief alarms lasting only a fraction of a second. The "Hold Detected Alarms for" time is the amount of time that the alarm event will be held so that the alarm camera image can be kept on the display screen and multiplexed at a high frame rate to the VCR.

<p style="text-align: center;">Set Alarm Hold Times</p> <p>1: Hold Detected Alarms for: 1 Sec. 2: Disable Detected Alarms after: 0 Sec. 3: Hold Alarmed Images for: 3 Sec.</p> <p>Camera: Select DISPLAY: Accept and Return</p>
---

The maximum time for holding an alarm display set in the "Disable Detected Alarms after" option will determine how long a continuous alarm camera will be displayed. This can be adjusted so that a continuous alarm will not consume all of the VCR's record time. A value of zero (factory default) will result in no time limit for an alarm display.

The "Hold Alarmed Images for" time determines the image display hold time during multi-camera alarms. When multiple alarms occur simultaneously, the monitor display will sequence between all cameras with alarms using this dwell time. Every alarming camera will be multiplexed to the VCR at a high priority "alarm" frame rate.

Both delay times are adjustable from 1 to 255 seconds though the default is 1 second for the activation hold and 3 seconds for the sequence dwell time. Camera buttons are used to enter digits 1 through 9 and the **PIP** button is used to enter 0. The **DISPLAY** button stops the editing of a delay value.

### Alarm Activation Type

Selecting:

- 1 - 9** Toggles the selected camera between "Contact Closure", "Contact Open", "Logic Low", or "Logic High" triggering the alarm.

In many applications the switch contact connection is between the alarm input pin and the chassis or signal ground. In the DPX9m the contact connection can be between either the ground (alarm connector pin 15) or the +5V (alarm connector pin 13). In some alarming devices this is not a metallic switch contact but rather a solid state device which "grounds" (Logic Low) the input as a normal condition or as an alarm condition. The four activation modes are provided to simplify connection to most alarm sources. See "Alarm Interconnection on the DPX9m" on page 24. The default Alarm Activation Type is "Contact Closure".

Set Alarm Activation Type

1: Contact Closure  
 2: Logic Low  
 3: Logic High  
 4: Contact Open  
 5: Contact Closure  
 6: Contact Closure  
 7: Contact Closure  
 8: Contact Closure  
 9: Contact Closure  
 Camera: Select  
 DISPLAY: Accept and Return

The DPX9m alarm activation is defined as follows:

- Contact Closure: The alarm pin is connected to a current source (either +5V or ground).
- Contact Open: The alarm pin is not connected to any current source (unconnected pin).
- Logic Low: A logic "low" level less than 0.8V (ground) is present at the alarm pin.
- Logic High: A logic "high" level greater than 2.4V (+5V) is present at the alarm pin.

### Alarm Log

The Alarm Log menu is used to view the current contents of the internal Alarm Log and to clear the log or transmit the log contents to the serial port for printing. The Alarm Log contains the time, date, camera number, and type of alarm for each alarm event that has been stored. The Alarm Log can store up to 100 alarm events at which point new alarm events continue to be stored and replace the oldest event in the buffer. An "Overflow" message is displayed in the upper left corner of the Alarm Log menu if more than 100 events have occurred indicating older alarm events have been displaced. An alarm event is generated when any enabled and valid scheduled External, Activity, or Video Loss alarm occurs (See "Alarm Scheduling" on page 15). The Alarm Log is a very useful tool for reviewing the VCR recording allowing rapid location and review of recorded video time periods of interest.

Alarm Log			Page 1/5
Time	Date	Cam	Type
09:49:27AM	15AUG97	1	VidLoss
10:40:28AM	16AUG97	2	Act
11:49:27PM	16AUG97	9	Ext
11:52:00AM	16AUG97	8	Act
12:02:57AM	16AUG97	7	Act
01:20:15AM	16AUG97	9	Ext
06:01:37AM	16AUG97	9	Ext
06:02:15AM	16AUG97	8	Act
Up Arrow: Next    VCR: Print Log Down Arrow: Prev    Zoom: Clear Log DISPLAY: Return			

The Alarm Log may be printed on a serial interface printer which is connected to the DPX9m Serial Port. The log may also be sent to a host computer for storage or processing rather than a printer.

The Alarm Log can be cleared by pressing the **ZOOM** button.

## Other Options

The “Other Options” menu provides access to the advanced DPX9m systems options.

Selecting:

1. Toggles the IR remote control code setting between Code 1, Code 2, and remote OFF. (See “Hand Held IR Remote Control” on page 21.)
2. Enters the “Security Set Up” menu for establishing a security lockout code.
3. Toggles On-screen text color between “White”, “Light Grey”, and “Dark Grey”.
4. Toggles the black text background ON and OFF.
5. Toggles the internal Chroma filter between “Enabled” (factory default) and “Disabled”. The Chroma filter must be enabled if any color cameras are connected to the DPX9m.

Other Options

1: Remote Control: Code 2  
2: Security Set Up . . .  
3: Text Color: White  
4: Text Background: Off  
5: Chroma Filter: Enabled

PIP: Restore ALL Settings  
to Factory Defaults  
Camera: Select  
DISPLAY: Accept and Return

## Security Set Up

Security lockout is a means to disable the DPX9m menus so that casual or inadvertent tampering can be prevented. It is not intended as a hard security measure and can be bypassed by removing the DPX9m power followed by applying power and **simultaneously** pressing the **DISPLAY** button until the ATV name appears. This is not the preferred method of bypassing security since this step also returns all internal parameters and options to their factory defaults.

The security feature requires that a security code (“password”) of 1 to 9 digits be entered and verified. The security lockout does not become active until the menus have been exited. “Button Lock”, when “On”, will disable all front panel operations. A long press of the **DISPLAY** button will still enable menus. “Security IR Lock” and “Serial Lock”, when “On”, will disable all IR remote button and serial interface operations respectively.

Security Set Up

Menus are Unlocked

1: Lock Menus  
2: Unlock Menus  
3: Button Lock: Off  
4: Security IR Lock: Off  
5: Serial Lock: Off

Camera: Select  
DISPLAY: Accept and Return

### Advanced VCR Options

The Advanced VCR Options menu is intended for use by knowledgeable users. The programmable settings in this menu must be properly set for correct performance of your DPX9m. **Do not change these settings unless it is necessary for your installation.**

Selecting:

1. Enters the "Edit Delay Table" menu for customizing delays for your VCR. See "Programming a Custom Delay Table" on page 22.
2. Toggles Camera Switch Input pulse polarity between "Negative" and "Positive". The default is "Negative".
3. Allows changing the number of fields output to the VCR on each occurrence of the "Camera Switch Input" pulse. The default is 2.
4. Toggles the VCR Playback Discriminator On/Off. The playback discriminator should be left "On" unless you wish to view all recorded frames of an alarm camera.
5. Toggles VCR Video Format between "Field" and "Frame". **The video format must be the same for record and playback.**

Advanced VCR Options
Record
1. Edit Delay Table . . .
Camera Switch Input
2. Pulse Polarity: Negative
3. Fields per pulse: 2
Playback
4. Discriminator: On
Record/Playback
5. Video Format: Field
Camera: Select
DISPLAY: Accept and Return

### Camera Switch Input

For most applications, the VCR delay table setting will provide the simplest setup and operation for multiplex recording. For advanced applications, such as time of day dependent VCR record speed settings, an external signal can be used to control the DPX9m. The Camera Switch Input (also referred to as a "head switch" input) allows the DPX9m to use an external signal from the VCR to control multiplexing. The DPX9m can be set to use the Camera Switch Input signal through the "VCR Format" selection (see "VCR Set Up" on page 10). When the Camera Switch Input signal is used, the DPX9m will switch to the next camera on the falling (Negative) edge, or the rising (Positive) edge of the signal based on the "Pulse Polarity" setting in the "Advanced VCR Options" menu. **Note that if the "Cam Sw Input" format is selected, a Camera Switch Input signal *must* be provided to the DPX9m for proper VCR multiplexing to occur.**

## HAND HELD IR REMOTE CONTROL

The hand held remote control allows easy remote operation of your DPX9m by duplicating the front panel buttons as shown in the diagram. One major difference between front panel and remote operation is that the individual camera buttons have been reduced to a single button. In this case, the first press of the "Camera" button will cause the DPX9m to display camera 1. Additional button presses will cycle the selection through each available camera and back to camera 1. Also note that "Freeze" and "Sequence" share the same button. Press and hold the "Freeze" button to activate the "Sequencing" mode on the DPX9m.

Please note that the remote control may not work properly in the presence of strong sun light. The sun is a strong Infra-Red light source and may interfere with the output from the remote control.

### Programming Your ATV DPX9m Remote Control

When first installing or when changing the batteries in your DPX9m Remote Control, it may be necessary to re-program it for use with the DPX9m. **If your remote control does not appear to work for any reason, please perform the following steps before contacting the factory.**

To program the remote control to work with the DPX9m:

1. Ensure that batteries are properly installed in the DPX9m Remote Control.
2. Turn on the **DPX9m**.
3. On the **DPX9m**, press the **DISPLAY** button to return to **DISPLAY** mode. Then press any of the **1-9** camera buttons to call up a full screen picture.
4. On the remote control, press the **VCR** button first, then **DISPLAY**. Hold both buttons together until the indicator lights up and blinks twice.
5. Enter your five-digit code. The DPX9m code set #1 equates to remote code 11414, and code set #2 equates to code set 11344. The red LED will now blink twice and the remote control is set.

The codes are entered by using the four buttons shown in the above diagram (Freeze, Camera, Quadrant, PIP). For example, to enter the default code for a DPX9m (code 11344) press the following:

<b>Code set #1</b>		<b>Code set #2</b>	
FREEZE	2 TIMES	FREEZE	2 TIMES
QUADRANT	1 TIME	PIP	1 TIME
FREEZE	1 TIME	QUADRANT	2 TIMES
QUADRANT	1 TIME		

Press **DISPLAY** button on the remote control for the 3x3 display on the DPX9m to appear.

Your DPX9m is factory set for Code set #2. See page 19 to change the DPX9m Code set.

**NOTE: After replacing the battery, you must reprogram the remote.**



## WHAT TO DO IF YOUR VCR IS NOT ON THE SUPPORTED LIST

The delay tables contained in DPX9m software should give you satisfactory performance for any of the VCRs listed. If your VCR is not on the list, the process to set up the DPX9m to support your VCR is very straightforward.

Most non-Real-Time Time Lapse VCRs are of the formula A or B type described below. It is usually possible to determine what type of VCR you have from the VCR's manual. The manual should contain video delay times for the VCR's supported hourly formats. The "rule of thumb" for NTSC/EIA systems is that you take a published delay time (in seconds) and multiply by 60 (50 for PAL/CCIR). The result should be a number which is close to either 1/2 the record hourly rate (Formula A) or 1/3 the record hourly rate (Formula B). For example:

1. Your manual states that in 24 Hr mode the picture delay time is 0.21 seconds.
2.  $0.21 \times 60 = 12.6$     ( $0.21 \times 50 = 10.5$  for PAL/CCIR)
3. 12.6 is closer to 12, the 24 hour record rate divided by 2, than to 8, the 24 hour record rate divided by 3.
4. This means that your VCR is a Formula A type, so you should use the STANDARD 24 HR STEPS or STANDARD 12 HR STEPS setting (see VCR Selection on page 10).

If your VCR is Real-Time, High Density, not a Formula A or B type or if the VCR does not have 12 or 24 hour standard steps, you will need to construct a Custom Delay Table as described in the next section.

## PROGRAMMING A CUSTOM DELAY TABLE (ADVANCED OPTION)

The DPX9m has a means of creating and/or modifying a delay table to match your particular VCR. Satisfactory performance can be obtained by setting up the one or two formats you actually plan to use according to the following basic guidelines.

### What is the "Delay Table"?

The delay table is a list of pairs of numbers that control the DPX9m's multiplex output field or frame rate being sent to the VCR during recording. The first column (Hour) is the format number that you would see in the VCR Set Up menu. The second column (Delay) is the number of video field times the DPX9m waits before putting out the next camera image.

The delay table allows you to program up to 8 individual hourly format settings. If your VCR has more than 8 settings you will need to pick the set of 8 choices that you are most likely to use in your installation. If your VCR has fewer choices, or you want to restrict your choices to just a few settings, the whole table should be filled such that the choices are repeated. The example here is for a VCR which only has three settings; 2, 12, and 24 hours.

Edit Delay Table		
Format	Hour	Delay:Custom
1:	2	3
2:	12	6
3:	24	12
4:	2	3
5:	12	6
6:	24	12
7:	2	3
8:	12	6
QUADRANT: Delay Formula		
Camera: Select/Change		
DISPLAY: Previous Menu		

## DETERMINING DELAY VALUES

For a Real Time VCR, the delay value for 24 hours or less recording is the minimum delay value (3). The software will not allow the entry of a lesser number.

For a Time Lapse VCR, depending on your make and model of VCR, the delay table value for NTSC/EIA systems is normally one half (most time lapse VCRs are 1/2) or one third (1/3) of the hour number. For example, if the selected hourly format is 48 hours, the delay value for the VCR is either 24 (1/2 of 48) or 16 (1/3 of 48). The DPX9m has a built in calculation capability to facilitate set up of the delay table for these standard formulas.

The following formulas are supported:

$$\text{Formula A } \text{DELAY} = \text{HOUR} / 2$$

Formula B DELAY = HOUR/ 3

Formula C DELAY = HOUR

Custom, where the HOUR and DELAY can be independently entered.

Your time-lapse VCR manual should list delay times (in seconds) for each record hour setting. If you have these values, use the following formula to determine the delay value:

$$\text{DELAY VALUE} = (\text{Delay Time}) \times 60 \text{ for EIA} \quad \text{DELAY VALUE} = (\text{Delay Time}) \times 50 \text{ for CCIR}$$

For example, if the 24 hour delay time is 0.22 seconds, DELAY = 0.22 x 60 = 13.2

The number will often be a fraction (such as 13.2), so "round" the number to the next nearest whole integer (which would be 13). To set up the DPX9m delay entry for this case, you would enter "24" in the "Hours" column and "13" in the "Delay" column.

### Edit Delay Table

The delay table is used to set the field delay value needed for any selected VCR so that the multiplexing rate of the DPX9m matches the recording rate of the VCR. The custom delay table allows the DPX9m multiplexing rate to be programmed to match a VCR not in the standard table. For further information regarding delay table values, refer to the previous section "Programming a Custom Delay Table". The default custom table is the same as "STANDARD 12 HR STEPS". Note that when any delay table is modified, it becomes the new custom delay table. This allows you to set up and test other VCR formats without losing a custom version. You can return to a previously customized table by making the selection here, as long as the custom table has not been re-edited.

To edit the delay table and create a custom delay table, select the "VCR Set Up" menu (option 2) from the "Main Menu". Then select "Advanced VCR Options" (option 5). Select "Edit Delay Table" (option 1) and the menu shown below will appear.

Note that before you edit the delay table, you should select the Delay Formula you will be using. In addition, when using Formulas A, B, or C, you will only be allowed to enter the "Hour" portion of the delay table. The delay will automatically be calculated based on your "Hour" entry. The Custom delay option allows the "Hour" and "Delay" values to be entered independently.

Selecting:

**1 - 8** Chooses one of the eight hourly formats to modify.

**QUADRANT** Toggles the Delay Formula between Custom, A, B, and C.

While Editing:

**SEQUENCE** Advances editing to the next field.

**1 - 9** Used to enter digits "1" through "9".

**PIP** Used for a "0" entry.

**DISPLAY** Completes the entry if less than 3 digits entered or returns to the previous value if no digits are entered.

Edit Delay Table		
Format	Hour	Delay: Custom
1:	2	3
2:	12	6
3:	24	12
4:	36	18
5:	48	24
6:	60	30
7:	72	36
8:	84	42
QUADRANT: Delay Formula		
Camera: Select/Change		
DISPLAY: Previous Menu		

### How do I verify the correct "Values"?

Once your DPX9m basic installation is complete, you can make a recording to ensure that the DPX9m is multiplexing properly with your VCR. If the DPX9m is multiplexing faster than the VCR during recording, cameras will be dropped during playback. If the DPX9m is multiplexing slower than the VCR during recording, then cameras will be repeated in several recorded frames during playback. The closer the rates are the fewer occurrences there will be of dropping or repeating cameras. When performing these tests, be sure that all camera priorities are set to the default value (High Priority), alarms are off, and Activity Detection is off.

### ALARM INTERCONNECTION ON THE DPX9M

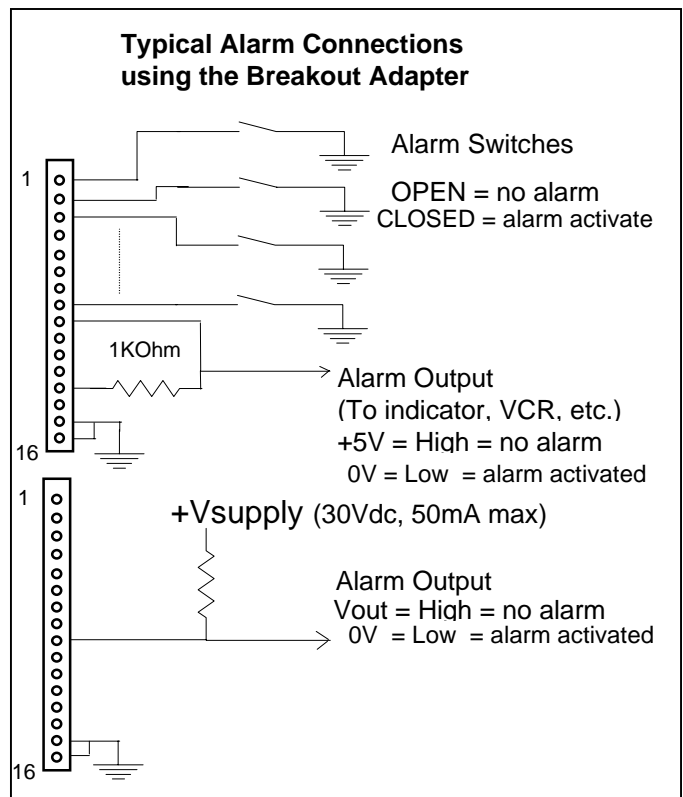
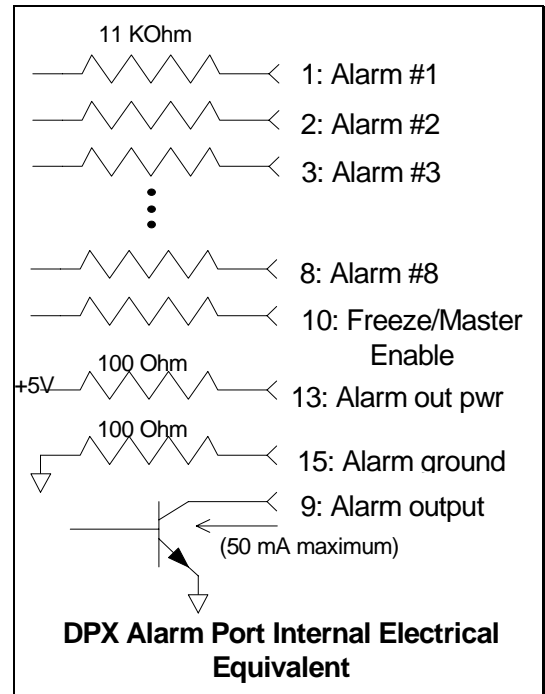
The alarm connector on the back panel allows input of nine external control signals to affect the behavior of the multiplexer under alarm conditions. Alarm inputs are provided for each camera. A picture "Freeze" input is also provided to allow the picture to be frozen. These inputs are normally generated by a switch located at a door, window or other point in the installation where a camera is monitoring activity. Many installations use a "normally open" switch which requires a switch "closure" to activate the alarm. As part of the DPX9m's normal alarm video processing, an "alarm output" is generated on the same back panel connector. In addition to the alarm inputs, a picture "Freeze" input is also provided. While picture "Freeze" is activated, any present camera image is retained on the display and new video information is ignored. A picture freeze does not trigger the alarm output.

Camera inputs contain series resistors for ESD (Electro Static Discharge) and lightning damage protection, and the outputs also contain series resistors to limit output current to prevent damage to the DPX9m in the occurrence of "shorting out" the output pin. When connecting the inputs and outputs to other equipment, consideration should be given to the limitations introduced by these current limiting resistors.

The alarm connector on the DPX9m is a DB-15, 15 pin connector. For ease of installation, a "breakout" adapter is provided with the 16th terminal connected to chassis ground. A simple alarm connection is shown to the right using the DPX9m "alarm breakout" adapter. In this example, switches are connected directly to the alarm inputs, and a single output is connected to some signaling device or to a controlled piece of equipment. In this case, an external resistor is required to pull the output up to +5V (High) indicating a non-alarm condition.

The external resistor makes connection to higher voltage systems possible, such as a 12 Vdc automobile system. In this application, the pull-up resistor is not tied to the DPX9m +5V pin, but to the higher voltage system. Voltages greater than +5V must not exceed 30 Vdc and the current through the output pin must not exceed 50 mA.

Failure to remain within the 30 Vdc and 50 mA restriction could damage either the DPX9m, the output signaling device, or both.

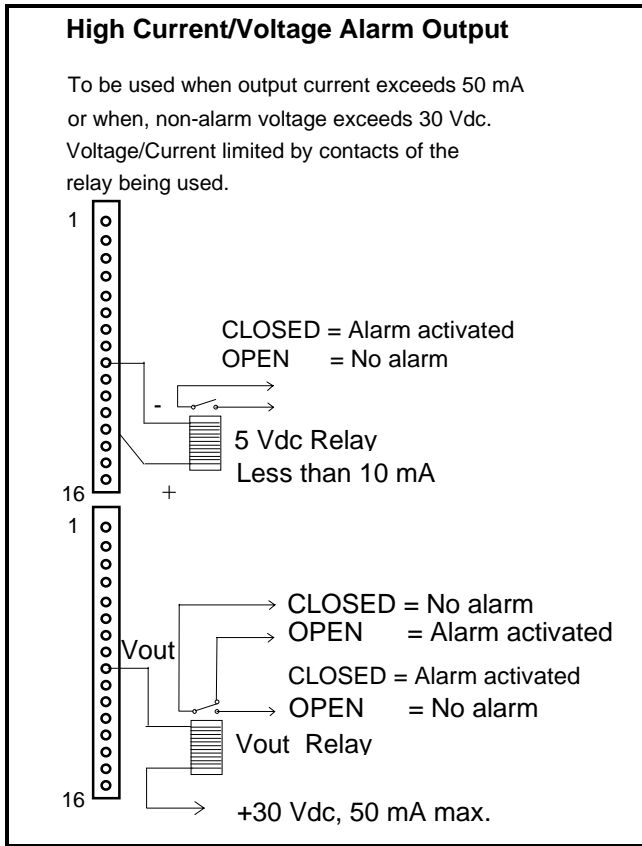




In some installations, the alarm output is used to activate or deactivate high voltage and/or high current circuitry (110 VAC lights, siren, etc.) which cannot be controlled directly by the DPX9m. In other cases, the alarm output needs to control multiple circuits of different types (mixed DC and AC equipment) or the "sense" of the control logic is different (alarm needs to be "high" instead of "low").

The easiest method to address the above cases is to use a relay that has the number of contacts and rating sufficient for the alarm output. Shown below are two methods to control a high current or high voltage device using a relay with a single, normally open contact. An internal, current limiting resistor for the pin 9 +5V supply will limit the usable relay current to something less than 10 mA (depending on the coil impedance). If a higher voltage, or higher current relay is used, an external supply is required. Under these conditions the open circuit voltage (no alarm) on pin 9 must not exceed 30 Vdc and the closed circuit current (alarm active) into pin 9 must be less than 50 mA.

The breakout adapter board is numbered compatibly with the DB-15 connector so the following table is applicable to either. **Note: Pin 16 is only present on the Breakout Adapter and is connected to chassis ground.**



ALARM CONNECTOR PINS (1-9)			
1	Alarm 1	9	Alarm Out (< 50 mA)
2	Alarm 2	10	Freeze/Master Enable
3	Alarm 3	11	Alarm 9
4	Alarm 4	12	Camera Switch Input
5	Alarm 5	13	+5V (< 10 mA)
6	Alarm 6	14	(reserved for future use)
7	Alarm 7	15	Signal ground (< 10 mA)
8	Alarm 8	16	Chassis ground

## RS-232 REMOTE CONTROL INTERFACE

The DPX9m has a built in RS-232 serial interface, which supports remote control of the DPX9m through simple ASCII commands. These commands provide access to the front panel button operations just as the IR Remote Control does.

The DPX9m serial interface is fixed at 9600 baud, 8 bits, 1 stop bit, and no parity. The command format is:

<command> <return>

The command is 2 characters or 2 characters plus parameter and must be followed by a "carriage return".

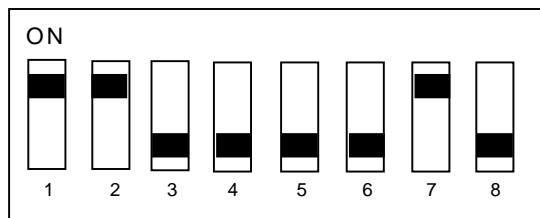
The DPX9m will respond with:

- > if the command was recognized, or
- ? if the command was not recognized or is invalid

The following commands are supported by the DPX9m serial interface:

- BD Display Button
- BS Sequence Button - will cause DPX9m to begin sequencing
- BP Pip Button
- BQ Quadrant Button
- BV VCR Button - will cause the DPX9m to enter or exit VCR playback mode or "zoom out"
- BF Freeze Button - will cause the DPX9m to freeze current display video
- BB VCR Bypass - will cause the DPX9m to enter or exit the VCR bypass mode
- BZ Zoom Button - will cause the DPX9m to enter Zoom mode or "zoom in" in Zoom mode
- BCn Camera Button - n is a number 1 through 9 corresponding to the camera number. There must be no "space" or "tab" entered between the command and the number.
- BL n Button Lock - n=0 sets front panel button lock OFF, and n=1 sets button lock ON.
- CM Call Monitor - will cause the DPX9m to toggle between "Normal" and "Call Monitor" modes. When in "Call Monitor" mode, button commands will control Call Monitor functions.
- DM m,c,c,c,...,q Set Display Mode - will cause the DPX9m to enter the selected display mode with selected cameras in the display inserts where m=display mode, c=camera number, q=quadrant. Display modes are as follows: 0=Full screen, 1=2x2, 2=3x3, 3=Reserved, 4=PIP, 5=Dual PIP, 6=Split screen, 7=Squish screen.
- EC n Echo characters - n=0, echo OFF; n=1, echo ON (factory default).
- HELP Help command - will display a list of commands.
- MD Move Down - in Zoom mode, will cause the DPX9m display to move down.
- ML Move Left - in Zoom mode, will cause the DPX9m display to move left.
- MR Move Right - in Zoom mode, will cause the DPX9m display to move right.
- MU Move Up - in Zoom mode, will cause the DPX9m display to move up.
- VER Version - will cause the DPX9m to output the current software version number.

For proper RS-232 operation, the 8 position DIP switch, SW 1, located next to the RJ-45 RS-232 interface connector within the DPX9m must be set to the factory default positions as indicated below. The RJ-45 connector pin-out corresponds to a standard EIA-561 8-pin DCE (modem) device.



SW 1

SERIAL CONNECTOR PINS	
1	Signal ground
2	Signal ground
3	Signal ground RS232, Open RS422
4	Signal ground
5	TX+ (out) RS232 or 422
6	RX+ (in) RS232 or 422
7	Open RS232, RX- (in) RS422
8	Open RS232, TX- (out) RS422

## SUPPORTED VCRs

### NTSC (EIA) Compatible:

Atsutsa TL VCR251	Mitsubishi HS5300	Sony SVT-100
Atsutsa TL VCR964	Mitsubishi BV-1300	Sony SVT-124
Chugai CTR-024NC	Mitsubishi HS5440UA	Sony SVT-150
Gyyr 1400	Mitsubishi HS-S5600U (short, long)	Sony SVT-3000/5000
Gyyr 1550x	NEC TL50	Sony SVT-3050
Gyyr 2051x (short, long)	Panasonic 6010	Sony SVT-L200
Gyyr TLC1800R (short, long)	Panasonic 6024	Sony SVT-L400
Gyyr TLC2100 (short, long)	Panasonic 6040 (short, long)	Sony SVT-S3100
Gyyr TLC2100SHD (short, long)	Panasonic 6730 (short, long)	Sony SVT-5050 (short, long)
Gyyr TLC2130HD	Panasonic 6720	Sony WatchCorder
Gyyr TLC2196	Panasonic 6740P (short, long)	Toshiba KV5168A
Gyyr TLC2196HD	Panasonic 6740PHD	Toshiba KV6200A (short, long)
Hitachi VTL30 (field & frame)	Panasonic 6750	Toshiba KV7024
Hitachi VTL2000	Panasonic 8050/8051	Toshiba KV7168A
JVC BR9060 (field & frame)	Panasonic RT600	Toshiba KV7960A (short, long)
JVC BR S920/S925	RCA TC3931	Toshiba KV8168A
JVC BR 9050U	Sanyo TLS900	Toshiba KV8168AHD
JVC BR SRL 900U	Sanyo TLS972	Toshiba KV8960A
JVC BR SRL 901U	Sanyo TLS1000	Toshiba KV8960AHD
JVC SR 9070U (short, long)	Sanyo TLS2000	Ultrak KR5440U
JVC SRL 910U	Sanyo SRT-500	Vicon VCR400
Mitsubishi MS3600	Sanyo SRT-600	Vicon VCR401/410
Mitsubishi HS480	Sony EVT801	Vicon VCR424
Mitsubishi HS5424		

### PAL (CCIR) Compatible:

Atsutsa TL VCR251	Ikegami TVR 625 (Field & Frame)	Panasonic 8050/8051
Burle 3910	JVC 9060E (Field & Frame)	Sanyo TLS900P
Burle TC3961X	Mitsubishi MS3600	Sanyo TLS1000P
Burle 3931X (Field & Frame)	Mitsubishi HS480E	Sony SVT-S3000P
Gyyr 2051X	Mitsubishi HS5424E	Sony SVT-5000P (short, long)
Gyyr TLC1600X (Field & Frame)	Mitsubishi HSS5300E	Sony WatchCorder
Gyyr TLC2100X (short, long)	Mitsubishi HSS5600E	Vicon VCR400
Hitachi VTL30 (Field & Frame)	Mitsubishi HS5440	Vicon VCR401
Hitachi VTL1000	Panasonic 6010	Vicon VCR410S
Hitachi VTL2000	Panasonic 6024	Vicon VCR424
	Panasonic 6720	

To accommodate any remaining VCR models, a custom delay table is provided which can be tuned for optimal performance with any VCR hourly format (see page 22). Using this table, the multiplexing rate of the DPX9m can be programmed to be compatible with the recording rate of the VCR.

## EQUIPMENT REQUIREMENTS

The DPX9m is designed to be compatible with all NTSC (EIA) and PAL (CCIR) compatible equipment. The DPX9m will accept 2:1 interlace cameras in either a "line-locked" or "free running" (internal reference) modes. The use of "random interlace" camera is not recommended unless the line lock is turned off.

## SPECIFICATIONS

### Physical

Dimensions .....	16.720" w X 8.250" d X 2.250" h (425 mm X 210 mm X 57 mm)
Weight .....	7.8 lbs (3.51 kg), Power Supply: 1.0 lbs (0.45 kg)
Operating Temp .....	32°F - 104°F (0°C - 40°C)

### Video

Signal Format .....	NTSC (EIA)/PAL (CCIR) Compatible Color or Monochrome NTSC (EIA): 525 lines, 60 Fields / sec. PAL (CCIR): 625 lines, 50 Fields / sec.
Camera Inputs .....	0.6 to 1.2 Vp-p 75 Ohm Termination
Monitor Output .....	1.2 Vp-p into 75 Ohms
VCR Output .....	1.2 Vp-p into 75 Ohms
Digital Sampling .....	720 X 480 NTSC (EIA), 720 X 576 PAL (CCIR)
Refresh Rate .....	30 Frames Per Second (NTSC/EIA) 25 Frames Per Second (PAL/CCIR)

### Electrical

Power .....	12 V AC @ 2 Amp
Safety .....	110V, 60Hz Power Supply: UL Listed and CSA Certified 220V, 50Hz Power Supply: CE Mark and VDE approved
EMC .....	FCC Part 15, Class A CE Certified EN50081-1 (emissions), EN50082-1 (immunity)

### Connectors

Video In .....	BNC, 1 Per Camera, Terminating, or Hi-Z
Loop Thru .....	BNC, 1 Per Camera
Monitor Video Out .....	BNC
VCR Video Out .....	BNC
Serial Port .....	RJ45, EIA 561
Alarm .....	DB15 With Screw On Adapter Board
12 VAC, or 12 VDC .....	Power Jack, 0.080" Pin Diameter

### Controls

DISPLAY .....	Return to 3x3 Display
SEQUENCE .....	Calls Up Selected Sequence Mode
FREEZE .....	Freeze current display image
PIP .....	Calls Up Next PIP Mode
QUADRANT .....	Rotates Quadrant
ZOOM .....	Activates Variable Zoom
VCR .....	Enables/Disables VCR Input for Recorder Playback
NINE CAMERA BUTTONS (1-9) .....	Calls Up Individual Cameras Full Screen
IR Remote .....	Duplicates Front Panel Controls
Termination Switches .....	Selects 75 Ohm or Hi-Z Termination for Video Inputs

## **WARRANTY INFORMATION**

Thank you for purchasing this Advanced Technology Video, Inc., hereinafter "ATV", product. We have manufactured this product in accordance with high quality standards and when it is used in the manner intended, it has a **limited warranty against defects in material and workmanship for a period of five (5) years from the date of shipment from ATV**. During the warranty period ATV's entire liability and your exclusive remedy shall be, at ATV's option, upon receipt of proof of purchase, repair or replacement of products that prove to be defective. Repair of a defective product is contingent upon availability of replacement parts from their manufacturer. Should ATV be unable to obtain replacement parts, ATV will, at its option, pro rate the value of the defective product and offer this amount toward the purchase of any new ATV product.

For warranty service or repair, this product must be returned to a service facility designated by ATV. Within the United States, you must obtain a return authorization (RMA) number by calling (888) 288-7644. Outside of the United States, contact your sales representative or the ATV factory at 425-885-7000 (email: tech@atvideo.com). For ATV factory service after obtaining an RMA number, send the product with shipping charges and applicable duties and taxes paid, along with a copy of your sales receipt or other proof of purchase and date of purchase to the ATV factory address.

## **YEAR 2000 CONFORMANCE**

All ATV products containing a date and time function meet Year 2000 Conformity Requirements as specified in BSI DISC PD2000-1 (described below). Year 2000 requirements do not apply to ATV products without a date and time function. ATV products' date format is "Day – Month – Year" where "Year" is a two digit representation of the year. Conformity is defined as follows:

1. No value for the current date will cause any interruption in operation of the product.
2. Date-based functionality within the product behaves consistently for dates prior to, during and after year 2000.
3. The 2 digit date within the product is implicitly assumed to be greater than 1990.
4. Year 2000 is recognized as a leap year.

## **LIMITATION OF WARRANTY**

This warranty covers normal use and does not cover damage which occurs in shipment or failure which results from alteration, accident, misuse, neglect, voltage fluctuations, lightning, water damage (or other acts of God), faulty installation or adjustment of controls, interfacing with non-standard or custom equipment, or improper maintenance.

EXCEPT AS HEREIN EXPRESSLY SET FORTH AND TO THE MAXIMUM EXTENT PERMITTED BY APPLICABLE LAW, ATV OR ANY OF ITS EMPLOYEES SHALL NOT, UNDER ANY CIRCUMSTANCES, BE RESPONSIBLE FOR ANY DIRECT, INDIRECT, INCIDENTAL OR CONSEQUENTIAL DAMAGES, INCLUDING, BUT NOT LIMITED TO, DAMAGE TO THE EQUIPMENT. ATV MAKES NO OTHER WARRANTIES, EXPRESS OR IMPLIED INCLUDING, BUT NOT LIMITED TO THE IMPLIED WARRANTIES OF MERCHANTABILITY, FITNESS FOR A PARTICULAR PURPOSE, TITLE, AND NON-INFRINGEMENT. REMOVAL OR ALTERATION OF THE SERIAL NUMBER WILL VOID THIS WARRANTY.

## **FCC STATEMENT**

This equipment has been tested and found to comply with the limits for a class A digital device, pursuant to part 15 of the FCC Rules. These limits are designed to provide reasonable protection against harmful interference when the equipment is operated in a commercial environment. This equipment generates, uses, and can radiate radio frequency energy and, if not installed and used in accordance with the instruction manual, may cause harmful interference to radio communications. Operation of this equipment in a residential area is likely to cause harmful interference in which case the user will be required to correct the interference at his expense.