

SX4m

Owner's Manual

and

Operating Instructions

Instructions for basic operation and installation

Printing Revision 1

Version 1.1



Advanced Technology Video, Inc.

14842 NE 95th Street · Redmond, Washington 98052

Phone 888/288-7644 · 425/885-7000 · Fax 425/881-7014

Customer Service: sales@atvideo.com

Technical Service: tech@atvideo.com

Home Page: <http://www.atvideo.com>

Table of Contents

Introduction	3
Operational Features Description	3
Live Camera Displays	3
Multiplexer Recording/Playback	3
DigiLock™ and Playback.....	3
VCR Bypass.....	3
Advanced Alarm System with Alarm Scheduling.....	3
Alarm Log and Printing.....	4
Getting Started.....	5
Installation Steps.....	5
Back Panel Connections.....	6
Video Line Termination Switches.....	6
Operation	7
Set Up Menus	8
Main Menu	8
Set Time/Date.....	8
VCR Set Up	9
VCR Selection	9
Advanced Function Menus	10
Camera Set Up.....	10
Camera Label Changing	10
CUSTOMPLEXING™ (Camera Multiplexing Priority).....	10
Camera Monitor Disable	11
Display Sequence Set Up.....	11
Dwell Adjustment.....	11
DISPLAY Completes the entry if less than three digits and returns to the previous value if no digits.....	11
Display Sequencing Format.....	12
Alarm Set Up	12
Alarm Enable Type	12
Video Loss Alarms.....	13
Alarm Scheduling.....	13
Set Alarm Enable Schedule.....	13
Enable Scheduled Alarms.....	14
Alarm Control Options	14
Alarm Dwell Adjustment.....	14
Alarm Activation Type.....	15
Alarm Log	15
Other Options	16
Security Set Up.....	16
Advanced VCR Options.....	17
Camera Switch Input	17
Hand Held IR Remote Control	18
Programming Your ATV SX4M Remote Control	18
What to do if Your VCR is not on the Supported List	19
Programming a Custom Delay Table (Advanced Option).....	19
What is the Delay Table?	19
Determining Delay Values.....	19
Edited Delay Table.....	20
How do I verify the correct Values?	21
Alarm Interconnection on the SX4m.....	21
RS-232 Remote Control Interface.....	23
Supported VCRs.....	24
Equipment Requirements	25
Specifications.....	25
Warranty Information	26
YEAR 2000 CONFORMANCE	26
LIMITATION OF WARRANTY	26
FCC Statement.....	26

INTRODUCTION

Thank you for purchasing Advanced Technology Video's SX4m four camera Simplex Multiplexer. This instruction manual describes the powerful features of this product for basic and advanced operation. It also covers the installation steps that will allow quick and easy integration into your security system.

The following section provides an overview of the operational features of the SX4m. If you are familiar with the SX4m, you should proceed to the **Getting Started** section on page 5 for step-by-step installation instructions.

OPERATIONAL FEATURES DESCRIPTION

Live Camera Displays

The SX4m is initially in the Live Camera Display mode whenever power is applied to the unit. Live cameras can be displayed in full frame and full frame sequence formats with a programmable dwell time. In playback mode any display can be frozen using a front panel button, the IR remote control, or external signal input.

Multiplexer Recording/Playback

The SX4m records each camera individually onto a single video frame of the VCR tape at a rate compatible with the VCR recording speed (record hours mode). Proper VCR playback operation requires that the SX4m be set up to multiplex at the rate which is compatible with your VCR recording speed (see page 9). During multiplexing, a single frame from each camera is alternately output to the VCR with the factory default set so that each live camera is given an equal number of frames on the tape. Dead or unconnected camera inputs will not be recorded. In order to optimize recording for your security situation, the frequency with which individual camera inputs are sampled for multiplexing may be optionally configured using the Customplexing™ camera multiplexing priority function. The camera multiplexing priority set up menu allows you to set four levels of priority (giving more frames to high priority and less frames to low priority). While multiplex recording is active, the live display mode can be set to full screen or full screen sequence) without affecting the multiplex recording function.

In VCR playback mode, cameras can be displayed in quad, PIP, dual PIP, split screen, squish screen, or full frame formats. In addition, any display can be frozen. VCR playback incorporates digital decoding of the camera number from the tape so that monitor screen images may be updated at the rate that images appear on the tape. The default refresh rate of the playback monitor is the playback rate divided by the number of cameras being multiplexed. This will change when alarmed cameras or dead cameras are present or camera priorities have been changed.

DigiLock™ and Playback

In VCR playback mode, digital information is used to compensate for the poor vertical synchronization signals frequently encountered with time lapse VCRs.

The SX4m DigiLock™ decoding reconstructs the timing such that successfully decoded frames are read into monitor display memory consistently without any jumping, tearing, or other side-effects of poor synchronization.

VCR Bypass

Many VCRs have on-screen programming menus that require a monitor for programming the VCR. The SX4m includes a VCR Bypass feature that facilitates VCR programming by allowing the SX4m VCR input (VCR's video output) to be routed directly to the display monitor. The VCR Bypass mode can also be used to directly view the VCR's output for adjusting tracking or verifying proper VCR connections to the SX4m.

Advanced Alarm System with Alarm Scheduling

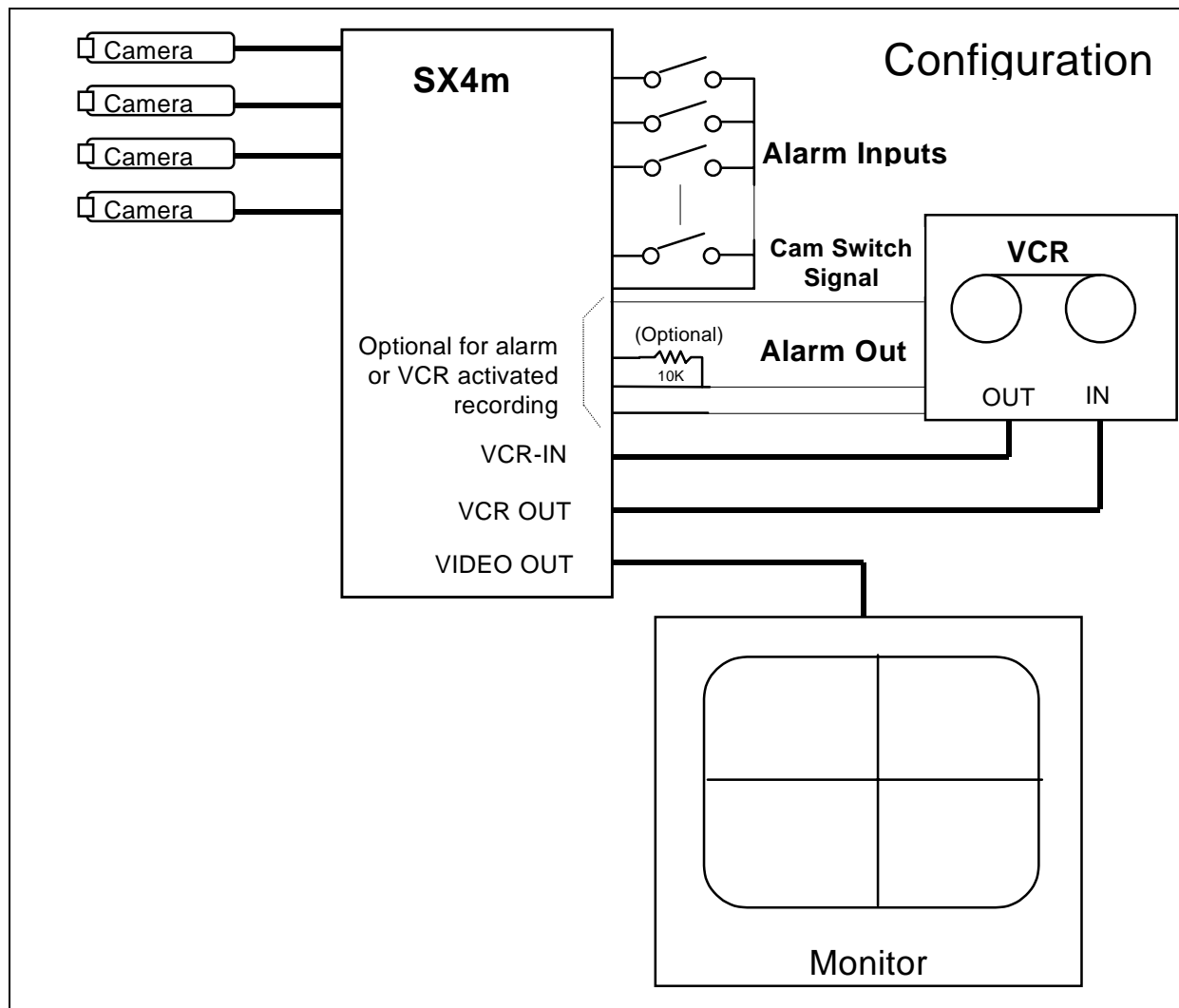
The SX4m contains the most advanced and flexible alarm system available in a video multiplexer. The SX4m Advanced Alarm System supports external alarms and video loss alarms. In addition, the SX4m alarm system can be enabled and disabled through a 7-day Alarm Schedule and/or a user programmable external Master Enable signal.

The SX4m has four alarm channels associated with the four camera inputs. Each alarm channel includes a programmable External alarm and Video Loss Alarm. External alarm inputs are individually selectable for contact closure or opening as well as logic levels (+5V, 0V). Each alarm channel may also be individually selected for enable/disable through the SX4m Alarm Schedule. The Alarm Schedule is a 7-day timer schedule with a single ON and OFF time associated with each day of the week. The SX4m also has an external input signal that can be selected between picture Freeze and Alarm Master Enable. The Alarm Master Enable signal can be used in conjunction with your burglar alarm control panel so that the alarm control panel can enable or disable the SX4m alarm system. For more information on **Alarm Scheduling** and SX4m alarm features see page 13.

Alarm Log and Printing

The SX4m has an internal Alarm Log that provides storage for up to 100 alarm events. Its text can be transmitted to the serial port for printing or storage on a host computer. The Alarm Log is a circular storage buffer so that the most recent alarm events are always stored. Alarm event text can also be sent directly to the serial port for immediate printing or external processing. Alarm events, which may be printed and stored in the Alarm Log, include any enabled External Alarms or Video Loss Alarms. See "Alarm Log" on page 15 for instructions on the use of the SX4m Alarm Log and printing features.

GETTING STARTED



The above diagram shows the typical 4-camera installation for the SX4m. Up to four cameras can be connected to the multiplexer using the back panel connectors. Note that the VCR and monitor connections must be as shown above for proper operation.

Installation Steps

The following steps should be followed to ensure proper connection and set up of your SX4m.

A diagram showing the overall connection configuration of the SX4m is shown above.

The installation steps are:

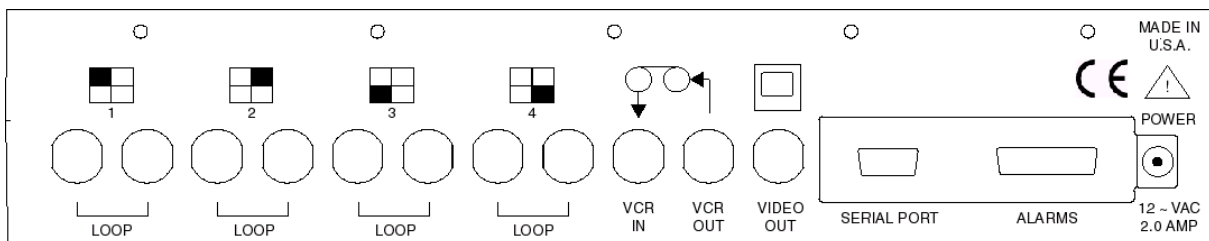
1. Connect your cameras, monitor, and VCR to the SX4m as shown above. Refer to the **Back Panel Connections** and **Video Termination Switches** sections on the next page for proper connections and switch settings for your particular installation.
2. Power up the SX4m. Enter the **SX4M Set Up** menus by pressing and holding the **DISPLAY** button for approximately 3 seconds. Refer to the **Set Up** menu section of the manual starting on page 8.
3. Set the current time and date in the SX4m using the **Set Time/Date** menu. Determine the record speed (record hours format) you will use with your VCR and set up the SX4m to work with your VCR using the **VCR Set Up** and **VCR Selection** menus on page 9).

4. Exit the SX4m menus by pressing the **DISPLAY** button to exit each menu and finally the menu system.
5. If your VCR has internal on-screen menus for its set up, use the **VCR Bypass** feature of the SX4M (see the "VCR Bypass Function" description on page 3 to view the VCR's on-screen menus on the display monitor).
6. At this point, the basic configuration of your SX4m is complete. You may now proceed to set more advanced functions as required for your installation (alarms, camera labels, multiplexing options, etc.). Refer to the **Advanced Function** menu starting on page 10 for detailed information.

BACK PANEL CONNECTIONS

The four-camera input BNC connectors are labeled LOOP and the factory default configuration is 75 ohm termination ON. Four DIP switches inside the unit (see section below) determine whether each inputs' 75 ohm termination is ON or OFF.

Connect the VCR IN BNC to the video output of the VCR and the VCR OUT BNC to the video input of the VCR. The alarm connector is a standard DB-15, which will mate with the included alarm wire adapter board or standard computer-type cable. For further **Alarm Connection** information see page 21.



VIDEO LINE TERMINATION SWITCHES



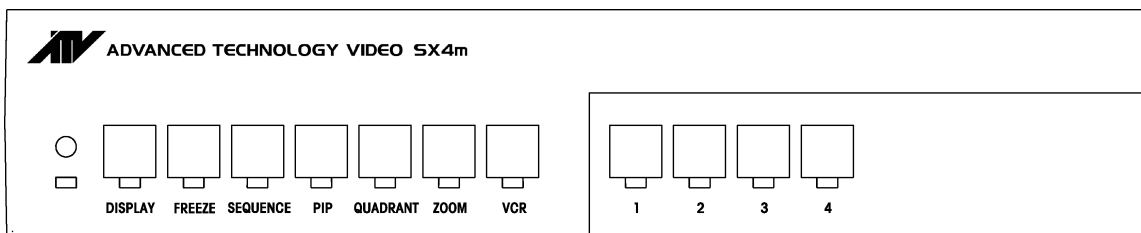
* The switch must be in the position shown for proper SX4m operation

The video line termination switches for each camera input are located in the rear of the unit and are accessed by removing the top cover. The switches are in the order shown above when looking down on the circuit board. The above switches are shown in the factory default settings (75 ohm terminations ON).

Dip switch position 3 on all four groups of switches (SW1 through SW4) control the application of the 75 ohm termination impedance for each of the four camera inputs. The above switches show the factory default position where all camera inputs are terminated with 75 ohm impedances.

Note: There is an additional termination switch for the VCR input which is on position 4 of SW 4.

OPERATION



Your SX4m has seven mode control buttons and four numbered camera buttons which allow easy access to all modes of operation. The seven mode buttons on the left are used to control monitor display operations and VCR playback. An LED below each button will light when the unit is in the mode corresponding to that button. Note that live camera display modes **do not** affect multiplex recording. Following is a summary of each button's function and the SX4m operating modes.

DISPLAY

This button selects the quad display in VCR playback mode. In addition, it will return the unit to the quad display mode from any other display mode in playback. A push and hold of this button for approximately 3 seconds will bring up the MX4m Set Up main menu.

FREEZE

In VCR playback mode, a press of this button will freeze the camera image(s) on the monitor display (the multiplex output to the VCR recording is still live during all display modes). Another push of this button will deactivate the freeze mode.

SEQUENCE

A button press will activate the camera sequencing for the live mode. Another push of this button will deactivate the sequencing mode. The default sequence hold time is 3 seconds for each camera.

PIP

When starting in the quad or full screen camera display in VCR playback mode, pressing the **PIP** (Picture-in-Picture) button will cause the unit to switch to the Single PIP display. Additional presses will cycle the unit through Dual PIP, Split Screen, Squish Screen, Full Frame and back to Single PIP displays.

QUADRANT

This button rotates images in both split screen and squish screen modes during VCR playback. Orientation for PIP and Dual PIP is fixed.

ZOOM

The ZOOM function will expand a quadrant of a full frame camera image in playback only. Repeated presses of this button will rotate through the quadrants.

VCR

Pressing this button will switch monitor display from the live camera display mode to the VCR playback mode. The LED indicator will light to show that VCR playback is now possible. The display will initially be in quad mode. To see non-multiplexer images (VCR setup menus, for example) or to troubleshoot VCR tracking or other problems, the VCR Bypass function is used.

VCR Bypass Function.

The VCR Bypass function is activated by a 3 second press of the **VCR** button. While in VCR Bypass mode, the SX4m will pass the VCR output directly to the monitor. A single push of the **VCR** button will return the unit to normal VCR playback mode and a second push will return the unit to live display mode.

CAMERA Buttons (1 Through 4)

The individual camera buttons **1** through **4** are used to select which camera is to be used for display purposes during live display or VCR playback modes. In addition, camera buttons **1** through **4** are used in the SX4m set up menus.

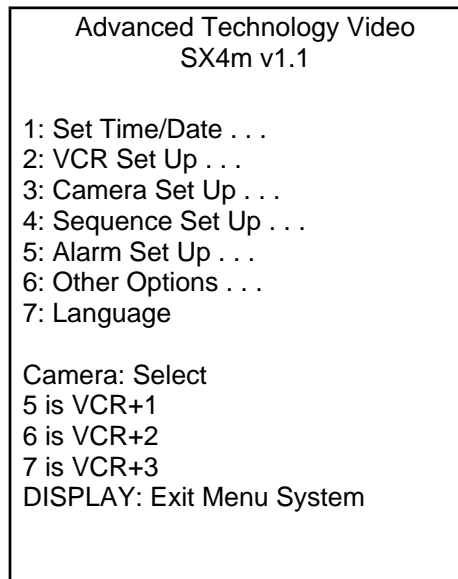
SET UP MENUS

The SX4m set up is accomplished through its on-screen menus. To enter the menu system, push and hold the **DISPLAY** button for approximately 3 seconds. The display will then show the top-level menu. Selection of any menu item is done with the camera buttons. Selecting **DISPLAY** will exit the present menu level.

Main Menu

Selecting:

1. Enters Set Time/Date menu to program the internal clock and select time and date display options.
2. Enters VCR Set Up menu to select VCR type and recording format (Hours).
3. Enters Camera Set Up menu to program camera labels and set recording priorities.
4. Enters Display Sequence Set Up menu to set sequence cameras will be displayed.
5. (Press **VCR+1**) Enters Alarm Set Up menu to enable/disable alarms and program alarm action.
6. (Press **VCR+2**) Enters the Other Options menu where you can select remote control code, program a security code for locking out the menus and the front panel buttons, or reset unit to factory defaults.
7. (Press **VCR+3**) Selects the language used for SX4m menus and messages.

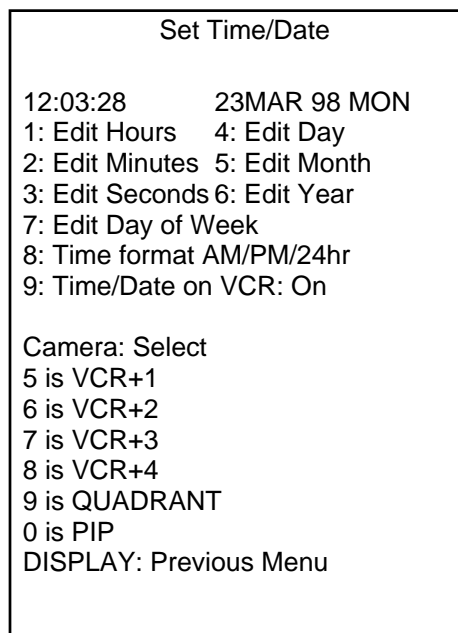


Set Time/Date

Time and date for the on-screen calendar and clock is set from this menu.

Selecting:

1. Edits the hour of the day. In 24-hour mode, 0 through 23 are accepted as entered. Edits the minutes field. Only values 0 through 59 are accepted.
2. Edits the seconds field. Only values 0 through 59 are accepted.
3. Edits the day of the month. Only valid values for the month selected will be accepted.
4. (Press **VCR+1**) Advances the month with each press.
5. (Press **VCR+2**) Edits the year.
6. (Press **VCR+3**) Edits the day of the week.
7. (Press **VCR+4**) Toggles the format between 24-hour, AM and PM.
8. (Press **QUADRANT**) Toggles the time and date for the VCR display On or OFF.



The times shown in this menu come directly from the internal clock. Actual time is constantly changing while new values are entered. All the values shown on the screen are updated any time one of them is entered. To accurately set the clock to the desired time, edit the SECONDS entry last. The current time and date are preserved if a new entry is not accepted or completed.

VCR Set Up

Selecting:

1. Enters the VCR Selection menu for setting of a particular make and model of VCR.
2. Toggles the VCR record time format through up to 4 possible settings plus Cam Sw Input for the selected VCR. The default value is 24-hour format.

Note: *If the Cam Sw Input is used, it will automatically be selected for alarm and VCR settings.*

3. Toggles the VCR record time format as in #2 above for an alarm condition. If the value chosen is different from the VCR Format, the VCR must be wired to the alarms so that it changes to the rate selected under an alarm condition. (The factory default value is "2-hour" format).
4. Enters Advanced VCR Options menu for customization of the delay table, camera switch video format, and playback discriminator functions. See the "Advanced VCR Options" menu on page 17.

VCR Set Up

Current VCR: Standard 12Hr steps

1: VCR Selection . . .

2: VCR Format: 24 Hr

3: VCR Alarm Format 2 Hr

4: Advanced VCR options . . .

PIP: Restore Default Settings

Camera: Select

DISPLAY: Accept and Return

VCR Selection

Selecting:

- 1 - 4** Selects a particular VCR from the displayed list. The first two entries are for standard 12 and 24-hour steps that will accommodate most VCRs. (The factory default is "Standard 12 Hr steps").
- 5 - 8** Press **VCR+1, 2, 3,** or **4** to select a specific VCR from the displayed list.
- PIP** Pages the list forward for more selections. The display will cycle back to the first page after the last page is reached.

If your VCR is not on the list, it will most likely work with a Standard steps selection. You can determine which of the Standard steps (12 or 24HR) is correct for your VCR by looking at your VCR manual or directly at your VCR. If the difference between time settings is a multiple of 12 hours (2, 12, 24, etc.), use the Standard 12Hr steps. If the difference between time settings is a multiple of 24 hours (2, 24, 48, etc.), use the Standard 24-hour steps. If your VCR settings do not correspond with the either the Standard 12 or 24-hour steps, refer to the section "What to do if Your VCR is not on the Supported List" (page 19).

VCR Selection

Current VCR: Standard 12Hr steps

1: Standard 12Hr steps

2: Standard 24Hr steps

3: Custom Delay Table

4: Atsutsa TL VCR251

5: Atsutsa TL VCR964

6: Burle LTC 3930

7: Burle LTC 3960

8: Burle LTC 3961 Long

Camera: Select

5 is VCR+1

6 is VCR+2

7 is VCR+3

8 is VCR+4

PIP: next page

DISPLAY: Previous Menu

ADVANCED FUNCTION MENUS

This section describes the use of the advanced functions of the SX4m. The following features allow you to customize the operation of your SX4m as necessary to complete your installation.

Camera Set Up

This menu determines the display behavior of the camera labels and allows access to menus for entering/changing labels, setting up camera record priority, or to disable a camera in the live display. Like time and date, both the VCR and monitor displays can be independently enabled/disabled.

Selecting:

1. Toggles the camera labels On/Off for the VCR display.
2. Enters Camera Labels menu to review, enter, or change camera labels.
3. Enters the Multiplexing Priority menu (CUSTOMPLEXING™ function).
4. Enters the Monitor Disable menu to allow a camera to be turned off in the live display.

Camera Set Up	
1: Labels on VCR:	On
2: Change Labels . . .	
3: Multiplexing Priority . . .	
4: Monitor Disable . . .	
PIP: Restore Default Settings	
Camera: Select	
DISPLAY: Accept and Return	

Camera Label Changing

This menu is used for adding/changing labels that are associated with each of the four cameras.

Selecting:

- 1 - 4** Selects the camera for editing and exposes the legend at the right hand side of the screen. After pressing a camera button **1** through **4**, the display will appear as shown.

Using the legend, any character can be entered in the present character location. The **SEQUENCE** button is used to move to the next location (to the right).

Camera Labels	Characters
	PIP: 0 Space
1. C	1: ABC1
2. 2	2: DEF2
3. 3	3: GHI3
4. 4	4: JKL4
5: MNO5
6: PQR6
5: VCR+17: STU7
6: VCR+28: VWX8
7: VCR+39: YZ9
8: VCR+4
9 is QUADRANT	
SEQUENCE: Next Character	
DISPLAY: Accept Label	

CUSTOMPLEXING™ (Camera Multiplexing Priority)

Selecting:

- 1 - 4** Toggles the camera between High Alarm Only, Low, and Medium priorities. (The factory default is "High").

The camera priority affects how frequently a camera's image is recorded. Using the factory defaults, the camera multiplexing ordering is:

1,2,3,4,1,2,3,4,1,2,3,4,1,2,3,4,1,2,3,4.....

Using the example shown, the multiplexing order is:

1,2,3,1,2,3,4,1,2,1,2,3,1,2,1,2,3,4,1,2,1....

Multiplexing Priority
1: High
2: High
3: High
4: High
Camera: Select
DISPLAY: Accept and Return

The SX4m priority method gives medium priority cameras twice as many frames as low priority cameras. Similarly, high priority cameras get twice as many frames as medium priority cameras. Alarm Only cameras are not recorded unless there is an alarm input and a live video signal is present. Alarm Only cameras, under alarm conditions, will be multiplexed like any other alarm camera. Dead or non-existent cameras will not be recorded.

Cameras under alarm conditions have a higher priority than High Priority cameras and will be given twice as many frames. Even under multiple alarm conditions, all cameras are guaranteed some VCR frames. Multiplexing of alarmed cameras cannot be disabled without disabling the alarm input itself (which will prevent both monitor and VCR alarm activity). In the above example, if the alarm for Alarm Only camera #4 were triggered, the multiplexing order would be:

4,1,4,2,4,3,4,1,4,2,4,1,4,2,4,1,4,2,4,3,4,1,4,2,4,1,4,2,4,1,4,2,4,3,4,1,4,2,4,1,4,2,4,1,4,2,4,3,4,1....

Camera Monitor Disable

This menu allows an individual camera to be eliminated from the monitor live mode display while the camera continues to be recorded (multiplexed). A Record Only camera is replaced by the bar pattern in live display modes and is still multiplexed.

Selecting:

- 1 - 4** Toggles the camera's live display from Display to Record Only. (The factory default is "Display").

***Note:** The presence of the camera signal is still detected on any camera set to Record Only. The No Video message will be given on the live display along with the bar pattern if the camera's signal is not present.*

Display Sequence Set Up

The SX4m has a programmable display sequence format for display modes that support sequencing. The image hold (dwell) time is also programmable.

Dwell Adjustment

Selecting:

- 1** Selects the dwell time for edit.

While editing:

- 1 - 4** Used to enter digits 1 through 4.
- VCR+1,2,3 or 4** Used to enter digits 5 to 8.
- QUADRANT** Used for a 9 entry.
- PIP** Used for a 0 entry.
- DISPLAY** Completes the entry if less than three digits and returns to the previous value if no digits

Monitor Disable

1: Display
2: Display
3: Display
4: Display

Camera: Select
DISPLAY: Accept and Return

Display Sequence Set Up

1: Hold Image for: 3 sec.
2: Cameras: 1 2 3 4

PIP: Restore Default Settings
Camera: Select
DISPLAY: Accept and Return

Display Sequencing Format

A unique feature of the SX4m is the option to customize the display sequence format to suit your application. You can program a specific selection of cameras for sequencing.

Selecting:

1. Enters edit mode for hold (dwell) time.
2. Allows entry of which cameras will sequence on the monitor display.

Note: Any changed camera display sequence will not be applied until the display sequencing mode is activated by the front panel button. For any particular camera display, cameras are sequenced in ascending numerical order and cannot be repeated.

Display Sequence Set Up

1: Hold Image for: 3 sec.
2: Cameras: 1 2 3 4

PIP: Restore Default Settings
Camera: Select
DISPLAY: Accept and Return

Alarm Set Up

Selecting:

1. Enters individual camera External Alarms menu.
2. Enters individual camera Video Loss Alarms enable/disable menu.
3. Enters Set Alarm Enable Schedule menu.
4. Enters Enable Scheduled Alarms menu.
5. (Press **VCR+1**.) Enters Alarm Control Options menu.
6. (Press **VCR+2**.) Enters Alarm Log menu.
7. (Press **VCR+3**.) Toggles Serial Alarm Output between On and Off. (The factory default is "Off"). When Serial Alarm Output is On, alarm event text will be sent directly to the serial port (printer) as well as the Alarm Log. The Serial Alarm Output does not need to be On in order to output (print) the Alarm Log.

Alarm Set Up

1: External Alarms . . .
2: Video Loss Alarms . . .
3: Set Alarm Enable Schedule . . .
4: Enable Scheduled Alarms . . .
5: Alarm Control Options . . .
6: Alarm Log . . .
7: Serial Alarm Output: Off

PIP: Restore Default Settings
Camera: Select
5 is VCR+1
6 is VCR+2
7 is VCR+3
DISPLAY: Accept and Return

Alarm Enable Type

Selecting:

- 1 - 4** Sets the selected camera alarm to External.

When an alarm event occurs on the camera alarm enabled with this menu, an alarm output will be generated if the alarming camera input is enabled through the Enable Scheduled Alarms menu (See Alarm Scheduling on page 13). If the event is allowed to occur, the alarming camera(s) will be displayed, and the alarming camera(s) will have an increased multiplexing rate. When an alarm is disabled (Off), an alarm input will not affect any aspect of the VCR multiplexing or the live camera display. Alarms that are turned off will not generate an alarm output.

External Alarms

1: On
2: On
3: On
4: On

Camera: Select
DISPLAY: Accept and Return

Video Loss Alarms

Selecting:

- 1 - 4** Toggles the selected camera Video Loss alarm between On and Off. (The factory default is "Off").

An alarm will be generated upon loss of video input on any camera with the Video Loss Alarm enabled, provided the camera's alarming input is enabled through the Enable Scheduled Alarms menu. The live monitor display will go blank, indicating a loss of the alarmed camera.

Alarm Scheduling

The SX4m contains a very flexible and advanced alarming system designed to provide an optimum solution for any installation. Along with the ability to enable various types of alarm inputs, a built in 7-day timer may also be used to individually enable and disable each alarm. The following menus are used to set the timer and select which alarms the timer will control.

Set Alarm Enable Schedule

Selecting:

- 1 - 4** Selects one of the first four days of the week to modify On and Off times.
- 5 - 7** (Press **VCR+1**, **2**, or **3**.) Selects one of the last three days of the week to modify On and Off times.
- 8** (Press **VCR+4**.) Copies the On and Off times of Monday to all the other weekdays (Tuesday – Friday).
- 9** (Press **QUADRANT**.) Copies the On and Off times of Saturday to Sunday.

When a day of the week is selected for scheduling (1-7), the display will change to reflect the time you are editing and additional button functions will be displayed. When editing times for a selected day, the **FREEZE** button will set the alarm system to be on all day. Similarly, the **ZOOM** button will set the alarm system to be off all day. When editing a time field, camera buttons are used to enter digits 1 through 4, the **QUADRANT** button is used to enter 9, and the **PIP** button is used to enter 0. The **SEQUENCE** button will move to the next editable field up through the last editable field where it will accept the line and return the display to the non-edit mode as shown. The **DISPLAY** button will accept the current entry and move to the next editable field up through the last editable field where it will accept the line and return the display to the non-edit mode as shown. Note that the setting of the hours format in the Set Time/Date menu will determine the hours display in this menu. Also, note that when the system is in 12-hour time mode, the AM/PM field must also be edited. The menu display will change to reflect this when an AM/PM field is being edited. (The factory default times for each day of the week are "On at 18:00 (6:00PM) and Off at 06:00" (6:00AM).

Video Loss Alarms

1: On
2: On
3: On
4: On

Camera: Select
DISPLAY: Accept and Return

Set Alarm Enable Schedule

	On Time	Off Time
1: Monday	18:00	06:00
2: Tuesday	18:00	06:00
3: Wednesday	18:00	06:00
4: Thursday	18:00	06:00
5: Friday	18:00	06:00
6: Saturday	18:00	06:00
7: Sunday	18:00	06:00
8: Copy Monday to Tuesday – Friday		
9: Copy Saturday to Sunday		

Camera: Select
QUADRANT is 9
PIP is 0
DISPLAY: Accept and Return

alarms using this dwell time. Every alarming camera will be multiplexed to the VCR at a high priority alarm frame rate.

Both delay times are adjustable from 1 to 255 seconds. The default is 1 second for the activation hold and 3 seconds for the sequence dwell time. Camera buttons are used to enter digits 1 through 4, **VCR** + camera button is used to enter digits 5 through 8, the **QUADRANT** button is used to enter digit 9, and the **PIP** button is used to enter 0. The **DISPLAY** button stops the editing of a delay value.

Alarm Activation Type

Selecting:

- 1 - 4 Toggles the selected camera between Contact Closure, Contact Open, Logic Low, or Logic High.

In many applications the switch contact connection is between the alarm input pin and the chassis or signal ground. In the SX4m the contact connection can be between either the ground (alarm connector pin 15) or the +5V (alarm connector pin 13). In some alarming devices this is not a metallic switch contact but rather a solid state device that grounds (logic low) the input as a normal condition or as an alarm condition. The four activation modes are provided to simplify connection to most alarm sources. (The factory default alarm activation type is "Contact Closure").

Set Alarm Activation Type
1: Contact Closure
2: Contact Closure
3: Contact Closure
4: Contact Closure
Camera: Select
DISPLAY: Accept and Return

The SX4m alarm activation is defined as follows:

- Contact Closure: The alarm pin is connected to a current source (either +5V or ground).
- Contact Open: The alarm pin is not connected to any current source (unconnected pin).
- Logic Low: A logic "low" level less than 0.8V (ground) is present at the alarm pin.
- Logic High: A logic "high" level greater than 2.4V (+5V) is present at the alarm pin.

Alarm Log

The Alarm Log menu is used to view the current contents of the internal alarm log and to clear the log or transmit the log contents to the serial port for printing. The Alarm Log contains the time, date, camera number, and type of alarm for each alarm event that has been stored. The Alarm Log can store up to 100 alarm events at which point new alarm events continue to be stored and replace the oldest event in the buffer. An Overflow message is displayed in the upper left corner of the Alarm Log menu if more than 100 events have occurred, an indication that older alarm events have been displaced. An alarm event is generated when any enabled and valid scheduled External or Video Loss alarm occurs. The Alarm Log is a very useful tool for reviewing the VCR recording allowing rapid location and review of recorded video time periods of interest.

Alarm Log	Page 1/1	
Time	Date	Cam Type
12:07:39	23MAR98	Restore User
PIP: Next FREEZE: Print Log		
QUADRANT: Prev ZOOM: Clear Log		
DISPLAY: Return		

The Alarm Log may be printed on a serial interface printer that is connected to the SX4m Serial Port and may also be sent to a host computer for storage or processing other than a printer.

The Alarm Log can be cleared by pressing the **ZOOM** button.

Other Options

The Other Options menu provides access to the advanced SX4m systems options.

Selecting:

1. Toggles the IR remote control code setting between Code 1, Code 2, and remote Off. (See "Programming Your ATV SX4M Remote Control" on page 18.)
2. Enters the Security Set Up menu for establishing a security lockout code.
3. Toggles On-screen text color between White, Light Grey, and Dark Grey.
4. Toggles the text background between On and Off.

Other Options	
1: Remote Control:	Code 2
2: Security Set Up . . .	
3: Text Color:	White
4: Text Background:	Off
PIP: Restore ALL Settings to Factory Defaults	
Camera: Select	
DISPLAY: Accept and Return	

Security Set Up

Security lockout is a means to disable the SX4m menus so that casual or inadvertent tampering can be prevented. It is not intended as a hard security measure and can be bypassed by removing the SX4m power followed by **simultaneously** applying power and pressing the **DISPLAY** button until the ATV name appears. This is not the preferred method of bypassing security because this step also returns all internal parameters and options to their factory defaults.

The security feature requires that a security code (password) of 1 to 9 digits be entered and verified. The security lockout does not become active until the menus have been exited. When Button Lock is turned on, it will disable all front panel operations. A long press of the **DISPLAY** button will still enable menus. Security IR Lock and Serial Lock, when on, will disable all IR remote button and serial interface operations.

Security Set Up	
Menus are Unlocked	
1: Lock Menus	
2: Unlock Menus	
3: Button Lock:	Off
4: Security IR Lock:	Off
5: Serial Lock:	Off
Camera:Select	
5 is VCR+1	
DISPLAY: Accept and Return	

Advanced VCR Options

The Advanced VCR Options menu is intended for use by knowledgeable users. The programmable settings in this menu must be properly set for correct performance of your SX4M.

Note: *Important! Do not change these settings unless it is necessary for your installation.*

Selecting:

1. Enters the Edit Delay Table menu for customizing delays for your VCR. See "Programming a Custom Delay Table" on page 19.
2. Toggles Camera Switch Input pulse polarity between Negative and Positive. The default is Negative.
3. Edits the number of fields output to the VCR on each occurrence of the Camera Switch Input pulse. (The factory default is "2").
4. Toggles the VCR Playback Discriminator circuit On/Off. The playback discriminator should be left On unless you want to view all recorded frames of an alarm camera.
5. (Press **VCR+1**) Toggles VCR Video Format between Field and Frame. (The factory default is "field"). **The video format must be the same for record and playback.**

Advanced VCR Options	
Record	
1. Edit Delay Table . . .	
Camera Switch Input	
2. Pulse Polarity:	Negative
3. Fields per pulse:	2
Playback	
4. Discriminator:	On
Record/Playback	
5. Video Format:	Field
Camera: Select	
5 is VCR+1	
DISPLAY: Accept and Return	

Camera Switch Input

For most applications, the VCR delay table setting will provide the simplest setup and operation for multiplex recording. For advanced applications, such as time of day dependent VCR record speed settings, an external signal can be used to control the SX4m. The Camera Switch Input (also referred to as a head switch input) allows the SX4m to use an external signal from the VCR to control multiplexing. The SX4m can be set to use the Camera Switch Input signal through the VCR Format selection (see VCR Set Up on page 9). When the Camera Switch Input signal is used, the SX4m will switch to the next camera on the falling (negative) edge, or the rising (positive) edge of the signal based on the Pulse Polarity setting in the Advanced VCR Options menu.

Note: *If the Cam Sw Input format is selected, a Camera Switch Input signal must be provided to the SX4m for proper VCR multiplexing to occur. Connect the camera switch Input from the VCR to Pin 12 on SX4m and the common to Pin 15 (see page 23).*

HAND HELD IR REMOTE CONTROL

The hand held remote control allows easy remote operation of your SX4m by duplicating the front panel buttons as shown in the diagram. One major difference between front panel and remote operation is that the individual camera buttons have been reduced to a single button. In this case, the first press of the camera button will cause the SX4m to display camera 1. Additional button presses will cycle the selection through each available camera and back to camera 1.

Please note that the remote control may not work properly in the presence of strong sun light.

Programming Your ATV SX4M Remote Control

When first installing or when changing the batteries in your SX4m Remote Control, it may be necessary to reprogram it for use with the SX4m. **If your remote control does not appear to work for any reason, please perform the following steps.**

To program the remote control to work with the SX4m:

1. Ensure that batteries are properly installed in the SX4m Remote Control.
2. Turn on the SX4m and connect a monitor.
3. On the remote control, press the **VCR** button first, and then **DISPLAY**. Hold both buttons together until the indicator lights up and blinks twice.
4. Enter your five-digit code. The SX4m code set #1 equates to remote code 11414, and code set #2 equates to code set 11344. The red LED will now blink twice and the remote control is set. Your SX4m is factory set for Code set #2. (See page 16 to change the SX4m Code set).



The codes are entered by using the four buttons shown in the above diagram (**Freeze, camera, Quadrant, PIP**). For example, to enter the default code for a SX4m (code 11344) press the following:

Code set #1		Code set #2	
FREEZE	2 TIMES	FREEZE	2 TIMES
QUADRANT	1 TIME	PIP	1 TIMES
FREEZE	1 TIME	QUADRANT	2 TIMES
QUADRANT	1 TIME		

Press the **DISPLAY** button on the remote control for quad display on the SX4m.

Note: After replacing the battery, you must re-program the remote.

WHAT TO DO IF YOUR VCR IS NOT ON THE SUPPORTED LIST

The delay tables contained in SX4m software should give you satisfactory performance for any of the VCRs listed. If your VCR is not on the list, the process to set up the SX4m to support your VCR is as follows:

Most non-real-time Time lapse VCRs are of the formula A or B type described below. It is usually possible to determine what type of VCR you have from the VCR's manual. The manual should contain video delay times for the VCR's supported hourly formats. The rule of thumb for NTSC systems is that you take a published delay time (in seconds) and multiply by 60 (50 for PAL). The result should be a number that is close to either 1/2 the record hourly rate (Formula A) or 1/3 the record hourly rate (Formula B). For example:

1. Your manual states that in 24 Hr mode the picture delay time is 0.21 seconds.
2. $0.21 \times 60 = 12.6$ ($0.21 \times 50 = 10.5$ for PAL)
3. 12.6 is closer to 12, the 24-hour record rate divided by 2, than to 8, the 24-hour record rate divided by 3.
4. This means that your VCR is a Formula A type, so you should use the STANDARD 24 HR STEPS or STANDARD 12 HR STEPS setting (see VCR Selection on page 9).

If your VCR is Real-Time, High Density, not a Formula A or B type or if the VCR does not have 12 or 24-hour standard steps, you will need to construct a Custom Delay Table as described in the next section.

Programming a Custom Delay Table (Advanced Option)

The SX4m has a means of creating and/or modifying a delay table to match your particular VCR. Satisfactory performance can be obtained by setting up the one or two formats you actually plan to use according to the following basic guidelines.

What is the Delay Table?

The delay table is a list of pairs of numbers that control the SX4m's multiplex output field or frame rate being sent to the VCR during recording. The first column (hour) is the format number that you would see in the VCR Set Up menu. The second column (delay) is the number of video fields the SX4m holds each camera's image.

The delay table allows you to program up to 8 individual hourly format settings. If your VCR has more than 8 settings, you will need to pick the set of choices that you are most likely to use in your installation. If your VCR has fewer choices, or you want to restrict your choices to just a few settings, the whole table should be filled such that the choices are repeated. The example here is for a VCR that has only three settings: 2, 12, and 24 hours.

Determining Delay Values

For a real time VCR, the delay value for 24 hours or less recording is the minimum delay value (2). The software will not allow the entry of a lesser number. For a time lapse VCR, depending on your make and model of VCR, the delay table value for NTSC systems is normally one half (most time lapse VCRs are 1/2) or one third (1/3) of the hour number. For example, if the selected hourly format is 48 hours, the delay value for the VCR is either 24 (1/2 of 48) or 16 (1/3 of 48). The SX4m has a built in calculation capability to facilitate set up of the delay table for these standard formulas.

Edit Delay Table		
Format	Hour	Delay:Custom
1:	2	3
2:	12	6
3:	24	12
4:	2	3
5:	12	6
6:	24	12
7:	2	3
8:	12	6
QUADRANT: Delay Formula		
Camera: Select/Change		
DISPLAY: Previous Menu		

The following formulas are supported:

- Formula A DELAY = HOUR/ 2
- Formula B DELAY = HOUR/ 3
- Formula C DELAY = EQUAL HOURS (Except Hour 2)
- Custom, where the HOUR and DELAY can be independently entered.

Your time-lapse VCR manual should list delay times (in seconds) for each record hour setting. If you have these values, use the following formula to determine the delay value:

$$\text{DELAY VALUE} = (\text{Delay Time}) \times 60 \text{ for NTSC} \quad \text{DELAY VALUE} = (\text{Delay Time}) \times 50 \text{ for PAL}$$

For example, if the 24-hour delay time is 0.22 seconds, DELAY = 0.22 x 60 = 13.2

The number will often be a fraction (such as 13.2), so round the number to the next nearest whole integer (which would be 13). To set up the SX4m delay entry for this case, you would enter 24 in the hours column and 13 in the delay column.

Edited Delay Table

The delay table is used to set the field delay value needed for any selected VCR so that the multiplexing rate of the SX4m matches the recording rate of the VCR. The custom delay table allows the SX4m multiplexing rate to be programmed to match a VCR not in the standard table. For further information regarding delay table values, refer to the previous section Programming a Custom Delay Table. The default custom table is the same as STANDARD 12-HR STEPS. Note that when any delay table is modified, it becomes the new custom delay table. This allows you to set up and test other VCR formats without losing a custom version. You can return to a previously customized table by making the selection here, as long as the custom table has not been re-edited.

To edit the delay table and create a custom delay table, select the **VCR Set Up** menu (option 2) from the main menu. Then select **Advanced VCR Options** (option 4). Select **Edit Delay Table** (option 1) and the menu shown below will appear.

***Note:** Before editing the delay table, you should select the Delay Formula you will be using. When using Formulas A, B, or C, you will only be allowed to enter the **hour** portion of the **delay** table. The delay will automatically be calculated based on your Hour entry. The Custom delay option allows the Hour and Delay values to be entered independently.*

- Selecting:
- 1 - 4** Selects one of the four hourly formats to modify.
 - 5 - 8** Press **VCR+1**, **2**, **3**, or **4** to modify the remaining four hourly formats.
 - QUADRANT** Toggles the Delay Formula between Custom, A, B, and C.

- While Editing:
- SEQUENCE** Advances editing to the next field.
 - 1 - 4** Used to enter digits 1 through 4.
 - VCR+1** Used to enter digit 5.
 - VCR+2** Used to enter digit 6.
 - VCR+3** Used to enter digit 7.
 - VCR+4** Used to enter digit 8.
 - PIP** Used for a 0 entry.
 - DISPLAY** Completes the entry if less than 3 digits entered or returns to the previous value if no digits are entered.

Edit Delay Table		
Format	Hour	Delay: Custom
1:	2	3
2:	12	6
3:	24	12
4:	36	18
5:	48	24
6:	60	30
7:	72	36
8:	84	42
QUADRANT: Delay Formula		
Camera: Select		
DISPLAY: Previous Menu		

How do I verify the correct Values?

Once your SX4m basic installation is complete, you can make a recording to ensure that the SX4m is multiplexing properly with your VCR. If it is multiplexing faster than the VCR during recording, cameras will be dropped during playback. If it is multiplexing slower than the VCR during recording, then cameras will be repeated in several recorded frames during playback. The closer the rates are the fewer occurrences of dropped or repeating cameras. When performing these tests, be sure that all camera priorities are set to the **default** value (High Priority) and alarms are **off**.

Alarm Interconnection on the SX4m

The alarm connector on the back panel allows input of four external control signals to affect the behavior of the multiplexer under alarm conditions. Alarm inputs are provided for each camera. A picture freeze input is also provided to allow the picture to be frozen. These inputs are normally generated by a switch located at a door, window, or other point in the installation where a camera is monitoring activity. Many installations use a normally open switch that requires a switch closure to activate the alarm. As part of the SX4m's normal alarm video processing, an alarm output is generated on the same back panel connector. In addition to the alarm inputs, a picture freeze input is also provided. While picture freeze is activated, any present camera image is retained on the display and new video information is ignored. A picture freeze does not trigger the alarm output.

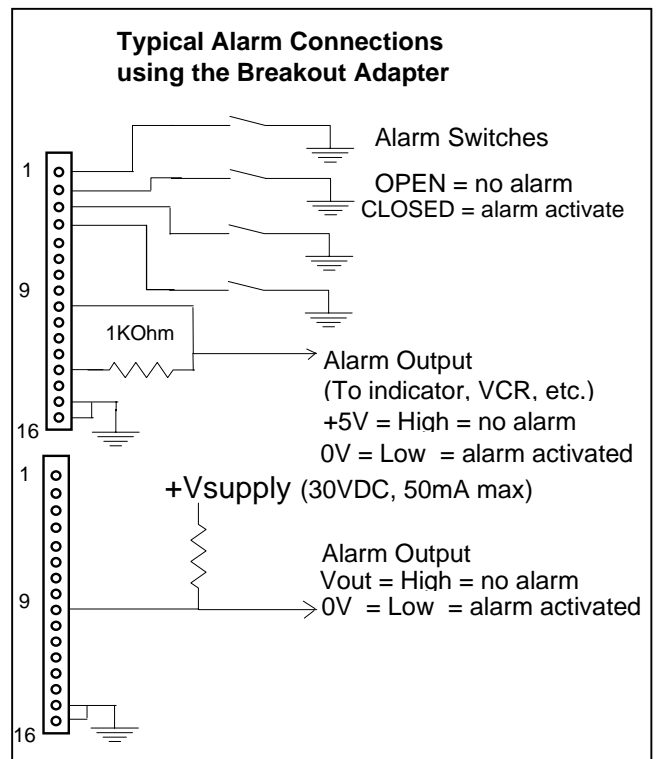
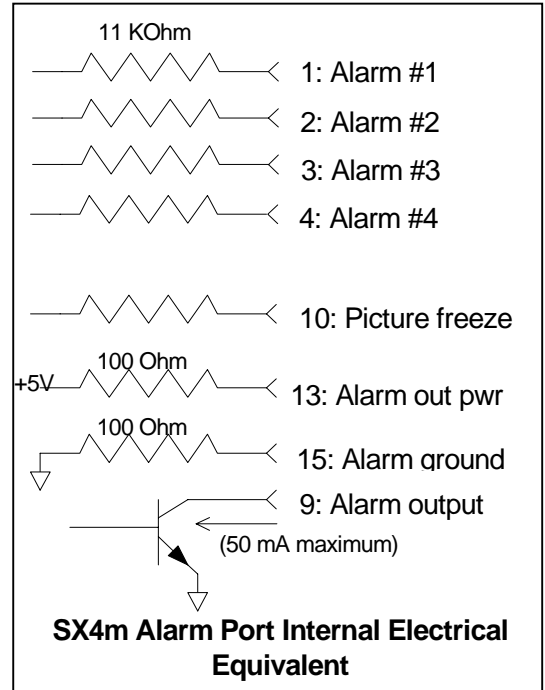
Alarm inputs contain series resistors for ESD (Electro Static Discharge) and lightning damage protection. The outputs also contain series resistors to limit output current to prevent damage to the SX4m in the occurrence of shorting out the output pin.

When connecting the inputs and outputs up to other equipment, consideration should be given to the limitations introduced by these current-limiting resistors.

The alarm connector on the SX4m is a DB-15, 15-pin connector. For ease of installation, a breakout adapter is provided with the 16th terminal connected to chassis ground. A simple alarm connection is shown to the right using the SX4m alarm breakout adapter. In this example, switches are connected directly to the alarm inputs, and a single output is connected to some signaling device or to a controlled piece of equipment. In this case, an external resistor is required to pull the output up to +5V (high) indicating a non-alarm condition.

The external resistor makes connection to higher voltage systems possible, such as a 12 VDC. In this application, the pull-up resistor is not tied to the SX4m +5V pin, but to the higher voltage system. Voltages greater than +5V must not exceed 30 VDC and the current through the output pin must not exceed 50 mA.

Failure to remain within the 30 VDC and 50 mA restriction could damage either the SX4m, the output signaling device, or both.

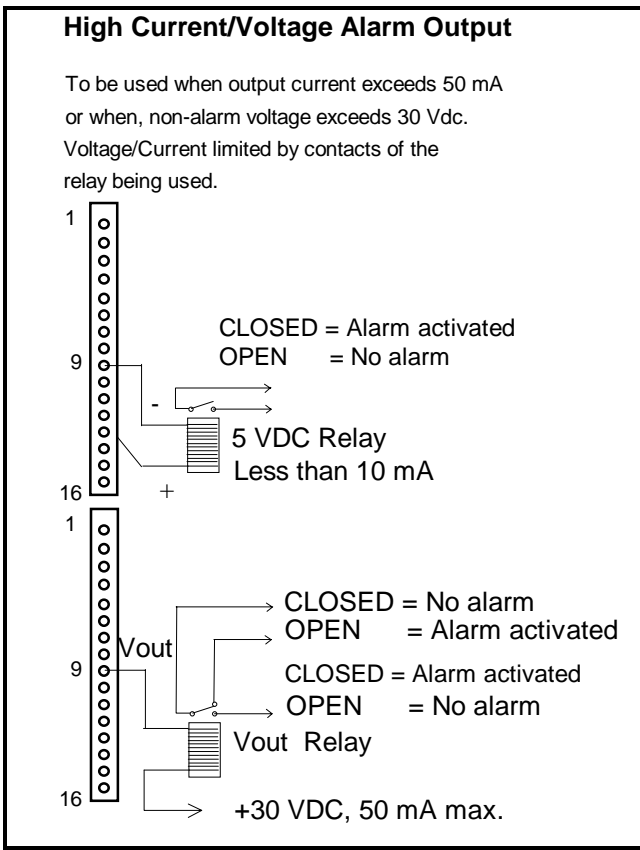


In some installations, the alarm output is used to activate or deactivate high voltage and/or high current circuitry (110 VAC lights, siren, etc.) which cannot be controlled directly by the SX4m. In other cases, the alarm output needs to control multiple circuits of different types (mixed DC and AC equipment) or the sense of the control logic is different (alarm needs to be high instead of low).

The easiest method to address the above cases is to use a relay, which has the number and rating on its contacts sufficient for the alarm output. Shown below are two methods to control a high current or high voltage device using a relay with a single, normally open contact. An internal, current limiting resistor for the pin 9 +5V supply will limit the usable relay current to something less than 10 mA (depending on the coil impedance). If a higher voltage or higher current relay is used, an external supply is required. Under these conditions the open circuit voltage (no alarm) on pin 9 must not exceed 30 Vdc and the closed circuit current (alarm active) into pin 9 must be less than 50 mA.

The breakout adapter board is numbered compatibly with the DB-15 connector so the following table is applicable to either.

Note: Pin 16 is only present on the Breakout Adapter and is connected to chassis ground.



ALARM CONNECTOR PINS			
1	Alarm1	9	Alarm Out (< 50 mA)
2	Alarm2	10	Freeze/Master Enable
3	Alarm3	11	(reserved for future use)
4	Alarm4	12	Camera Switch Input
5	Unused	13	+5V (< 10 mA)
6	Unused	14	(reserved for future use)
7	Unused	15	Signal ground (< 10 mA)
8	Unused	16	Chassis ground

RS-232 REMOTE CONTROL INTERFACE

The SX4m has a built in RS-232 serial interface that supports remote control of the SX4m through simple ASCII commands. These commands provide access to the front panel button operations just as the IR Remote Control does.

The SX4m serial interface is fixed at 2400 baud, 8 bits, 1 stop bit, and no parity. It uses the very simple command format:

<command> <return>

The command is 2 character or 2 character plus parameter and must be followed by a carriage return. The SX4m will respond with:

- > if the command was recognized, or
- ? if the command was not recognized or is invalid

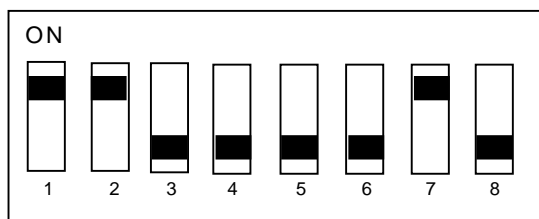
The following commands are supported by the SX4m serial interface and behave just as if the indicated front panel button was pushed:

- BD **Display** button
- BS **Sequence** button - will cause SX4m to start or stop sequencing during live mode.
- BP **PIP** button
- BQ **Quadrant** button
- BV **VCR** button - will cause the SX4m to enter or exit VCR playback mode
- BF **Freeze** button - will cause the SX4m to freeze during playback mode.
- BB **VCR** button - will cause the SX4m to enter the VCR bypass mode
- BC _n **Camera** buttons - n is a number 1 through 4 corresponding to the camera number. A space or tab must be entered between the command and the number.
- BZ **Zoom** button – will expand a quadrant of a full frame camera image in playback only.

Commands can take a fraction of a second to execute within the SX4m and require that there be a delay of at least 0.3 seconds (300 milliseconds) between the carriage return and start of the next command.

The command decode prompt (>) may occur before the command has finished executing and should not be used as an indication to send the next command. You will need to insure that your host computer waits for 0.3 seconds after sending the carriage return and before sending the next command character.

For proper RS-232 operation, the 8 position DIP switch, (SW 5), located next to the DB-9 RS-232 interface connector within the SX4m must be set to the factory default positions as indicated below. The DB-9 connector pinout corresponds to a standard 9-pin DCE (modem) device.



SW 5

SERIAL CONNECTOR PINS	
1	Signal ground
2	TX+ (out) RS232 or 422
3	RX+ (in) RS232 or 422
4	Signal ground
5	Signal ground
6	Signal ground
7	TX- (out) RS422
8	RX- (in) RS422
9	Signal ground

SUPPORTED VCRs

NTSC/EIA Compatible:

Atsutsa TL VCR251	Mitsubishi MS3600	Sanyo SRT-600
Atsutsa TL VCR964	Mitsubishi HS480	Sony EVT-801
Burle LTC 3930	Mitsubishi HS5424	Sony SVT-100
Burle LTC 3960	Mitsubishi HS5300	Sony SVT-124
Burle LTC 3961 long	Mitsubishi BV-1300	Sony SVT-150
Burle LTC 3961 short	Mitsubishi HS5440UA	Sony SVT-3000/5000
Burle LTC 3991 long	Mitsubishi HS-S5600U (short, long)	Sony SVT-3050
Burle LTC 3991 short	NEC TL50	Sony SVT-5050 (short, long)
Chugai CTR-024NC	Panasonic 6010	Sony SVT-S3100
Gyyr 1400	Panasonic 6024	Sony SVT-L200
Gyyr 1550x	Panasonic 6040 (short, long)	Sony SVT-L400
Gyyr 2051x (short, long)	Panasonic 6730 (short, long)	Sony SVT-LC300
Gyyr TLC1800R (short, long)	Panasonic 6720	Sony WatchCorder
Gyyr TLC2100 (short, long)	Panasonic 6740P (short, long)	Toshiba KV5168A
Gyyr TLC2100SHD (short, long)	Panasonic 6740PHD	Toshiba KV6200A (short, long)
Gyyr TLC2130HD	Panasonic 6750	Toshiba KV7024
Gyyr TLC2196	Panasonic 8050/8051	Toshiba KV7168A (short, long)
Gyyr TLC2196HD	Panasonic RT600	Toshiba KV7960A (short, long)
Hitachi VTL30 (field & frame)	Panasonic TL500 (short, long)	Toshiba KV8168A
Hitachi VTL2000	RCA TC3931	Toshiba KV8168AHD
JVC BR9060 (field & frame)	Sanyo SRT-768 (short, long)	Toshiba KV8960A
JVC BR S920/S925	Sanyo TLS900	Toshiba KV8960AHD
JVC BR 9050U	Sanyo TLS972	Ultrak KR5440U
JVC BR SRL 900U	Sanyo SRT-672 (short, long)	Ultrak KR7496U
JVC BR SRL 901U	Sanyo TLS1000	Vicon VCR400
JVC SR 9070U (short, long)	Sanyo TLS2000	Vicon VCR401/410
JVC SRL910U	Sanyo SRT-500	Vicon VCR424

PAL/CCIR Compatible:

Atsutsa TL VCR251	Ikegami TVR 625 (Field & Frame)	Philips RT24A
Burle 3910	JVC 9060E (Field & Frame)	Philips TL24A
Burle TC3961X	JVC SR-L901E	Philips TL960A (short, long)
Burle 3931X (Field & Frame)	Mitsubishi HS5424E	Sanyo TLS900P
Gyyr 2051X	Mitsubishi HSS5300E	Sanyo TLS1000P
Gyyr TLC1600X (Field & Frame)	Mitsubishi HSS5600E	Sony SVT-S3000P
Gyyr TLC2100X (short, long)	Mitsubishi HS5440	Sony SVT-5000P (short, long)
Hitachi VTL30 (Field & Frame)	Panasonic 6010	Sony WatchCorder
Hitachi VTL1000	Panasonic 6024	Vicon VCR400
Hitachi VTL2000	Panasonic 6720	Vicon VCR401
Mitsubishi MS3600	Panasonic 8050/8051	Vicon VCR410S
Mitsubishi HS480E		Vicon VCR42

For VCRs that are not listed above, the standard 12-hour or standard 24-hour settings may be used.

To accommodate any remaining VCR models, a custom delay table is provided which can be tuned for optimal performance with any VCR hourly format (see page 19). Using this table, the multiplexing rate of the SX4m can be programmed to be compatible with the recording rate of the VCR.

EQUIPMENT REQUIREMENTS

The SX4m is designed to be compatible with all EIA and CCIR compatible equipment. The SX4m will accept 2:1 interlace cameras in either a line-locked or free running (internal reference) modes. The use of random interlace camera is not recommended unless the line lock is turned off.

SPECIFICATIONS

Physical

Dimensions.....	11-5/16 w X 9 d X 2-3/8 h (288 mm X 229 mm X 61 mm)
Weight	2.6 lbs. (1.17 kg), Power Supply: 1.0 lbs. (0.45 kg)
Operating Temp	32°F - 104°F (0°C - 40°C)

Video

Signal Format	EIA/CCIR Compatible Monochrome EIA: 525 lines, 60 Fields / sec. CCIR: 625 lines, 50 Fields / sec.
Camera Inputs.....	0.6 to 1.2 Vp-p 75 Ohm Termination
Monitor Output.....	1.2 Vp-p into 75 Ohms
Digital Sampling	512H x 512V x 8 Bits (256 Gray Levels)
Refresh Rate	30 Fields Per Second (EIA) 25 Fields Per Second (CCIR)

Electrical

Power	12 V AC @ 2 Amp
Safety	110V, 60Hz Power Supply: UL Listed and CSA Certified 220V, 50Hz Power Supply: CE Mark and VDE approved
EMI	FCC Part 15, Class A CE Certified EN50081-1 (emissions), EN50082-1 (immunity)

Connectors

Video In	BNC, 1 Per Camera, Terminating, or Hi Z (4 Total)
Loop Thru	BNC, 1 Per Camera
Monitor Video Out	BNC
VCR Video Out.....	BNC
Serial Port.....	DB9
Alarm	DB15 with Screw On Adapter Board
12 VAC, or 12 VDC	Power Jack, 0.080 Pin Diameter

Controls

DISPLAY	Return to Quad Display in Playback
SEQUENCE	Calls Up Selected Sequence Mode
FREEZE	Freeze current display image in playback
PIP	Calls Up Next PIP Mode
QUADRANT	Rotates Quadrant
ZOOM.....	Activates Zoom on Playback
VCR	Enables/Disables VCR Input for Recorder Playback
FOUR CAMERA BUTTONS (1-4).....	Calls Up Individual Cameras Full Screen
IR Remote	Duplicates Front Panel Controls
Termination Switches.....	Selects 75 Ohm or Hi-Z Termination for 4 Video Inputs

WARRANTY INFORMATION

Thank you for purchasing this Advanced Technology Video, Inc., hereinafter ATV, product. We have manufactured this product in accordance with high quality standards and when used in the manner intended, it has a **limited warranty against defects in material and workmanship for a period of five (5) years from the date of shipment from ATV**. During the warranty period ATV's entire liability and your exclusive remedy shall be, at ATV's option, upon receipt of proof of purchase, repair or replacement of products that prove to be defective. Repair of a defective product is contingent upon availability of replacement parts from their manufacturer. Should ATV be unable to obtain replacement parts, ATV will, at its option, pro rate the value of the defective product and offer this amount toward the purchase of any new ATV product.

For warranty service or repair, this product must be returned to a service facility designated by ATV. Within the United States, you must obtain a return authorization (RMA) number by calling (888) 288-7644. Outside of the United States, contact your sales representative or the ATV factory at (425) 885-7000 (email: tech@atvideo.com). For ATV factory service after obtaining an RMA number, send the product with shipping charges and applicable duties and taxes paid, along with a copy of your sales receipt or other proof of purchase and date of purchase to the ATV factory address.

YEAR 2000 CONFORMANCE

All ATV products containing a date and time function meet Year 2000 Conformity Requirements as specified in BSI DISC PD2000-1 (described below). Year 2000 requirements do not apply to ATV products without a date and time function. ATV products' date format is Day – Month – Year where Year is a two-digit representation of the year. Conformity is defined as follows:

1. No value for the current date will cause any interruption in operation of the product.
2. Date-based functionality within the product behaves consistently for dates prior to, during and after year 2000.
3. The 2 digit date within the product is implicitly assumed to be greater than 1990.
4. Year 2000 is recognized as a leap year.

LIMITATION OF WARRANTY

This warranty covers normal use and does not cover damage which occurs in shipment or failure which results from alteration, accident, misuse, neglect, voltage fluctuations, lightning, water damage (or other acts of God), faulty installation or adjustment of controls, interfacing with non-standard or custom equipment, or improper maintenance.

EXCEPT AS HEREIN EXPRESSLY SET FORTH AND TO THE MAXIMUM EXTENT PERMITTED BY APPLICABLE LAW, ATV OR ANY OF ITS EMPLOYEES SHALL NOT, UNDER ANY CIRCUMSTANCES, BE RESPONSIBLE FOR ANY DIRECT, INDIRECT, INCIDENTAL OR CONSEQUENTIAL DAMAGES, INCLUDING, BUT NOT LIMITED TO, DAMAGE TO THE EQUIPMENT. ATV MAKES NO OTHER WARRANTIES, EXPRESS OR IMPLIED INCLUDING, BUT NOT LIMITED TO THE IMPLIED WARRANTIES OF MERCHANTABILITY, FITNESS FOR A PARTICULAR PURPOSE, TITLE, AND NON-INFRINGEMENT. REMOVAL OR ALTERATION OF THE SERIAL NUMBER WILL VOID THIS WARRANTY.

FCC STATEMENT

This equipment has been tested and found to comply with the limits for a class A digital device, pursuant to part 15 of the FCC Rules. These limits are designed to provide reasonable protection against harmful interference when the equipment is operated in a commercial environment. This equipment generates, uses, and can radiate radio frequency energy and, if not installed and used in accordance with the instruction manual, may cause harmful interference to radio communications. Operation of this equipment in a residential area is likely to cause harmful interference in which case the user will be required to correct the interference at his expense.