

QSP-660B

Owner's Manual

and

Operating Instructions

Instructions for basic operation and installation

Printing Revision 7-5/5/98

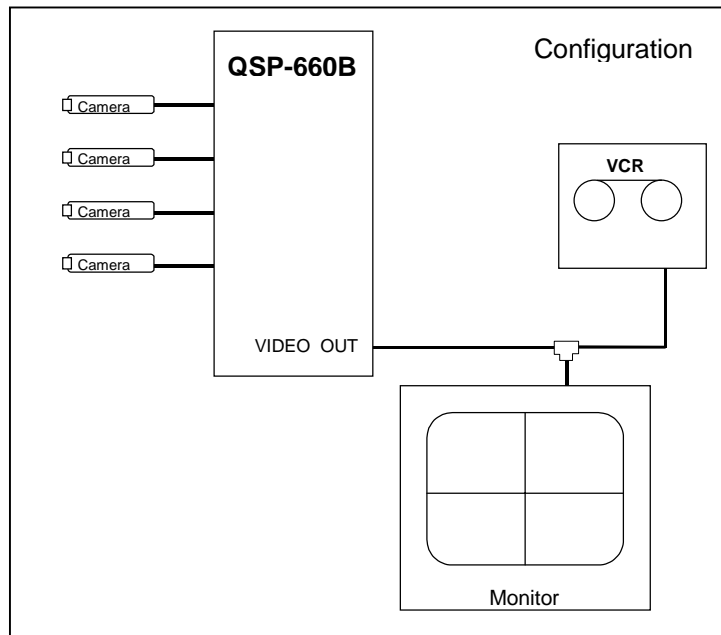


INTRODUCTION

Thank you for purchasing our QuadraSplit 660B (QSP-660B). This instruction manual describes the features and installation of this product for basic operation and easy integration into your security system.

EQUIPMENT REQUIREMENTS

The QSP-660B is designed to be compatible with all EIA and CCIR compatible equipment. The QSP-660B will accept 2:1 interlace cameras in either a "line-locked" or "free running" (internal reference) modes. One camera type that can cause problems is the "random interlace" camera which will not work well with digital video equipment such as the QSP-660B. These cameras lock the vertical sync signals to the power line but not the horizontal sync signals. These cameras were designed to interface to analog camera sequencers and locking the vertical sync to the power line prevents picture "rolling". Since the QSP-660B does not require line locked cameras for "roll free" switching, the simple solution is to turn off the line lock on random interlace cameras. Many random interlace cameras contain a switch though it is frequently found as a small PCB switch inside the camera which will require removing the camera chassis cover. The switch will sometimes be labeled "LL" or "line lock" in one position and "Internal" or "Int" in the other position.

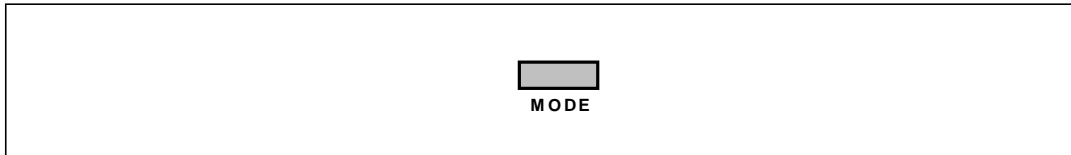


Advanced Technology Video, Inc.

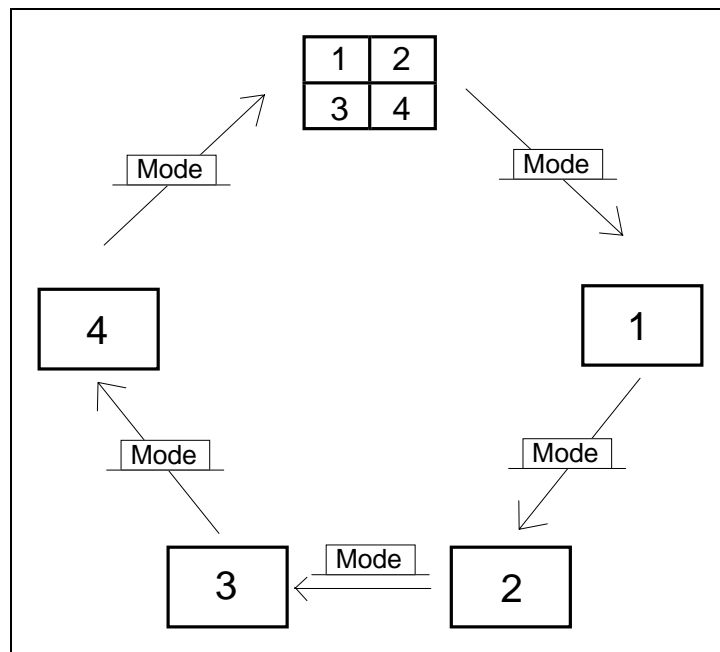
14842 NE 95TH Street Redmond WA 98052 □ Phone 888/288-7644 □ 425/885-7000 □ Fax 425/881-7014

BASIC OPERATIONS

Though a few moments of experimenting are all it takes to learn most of the QSP-660B's operations, we will present a simple but thorough description of the QSP-660B's features.

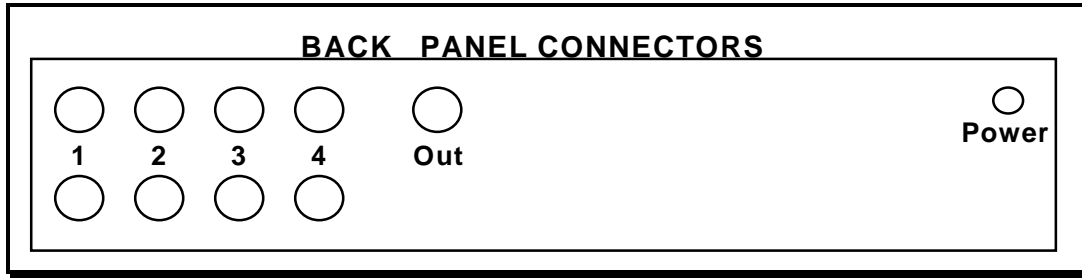


Your QSP-660B has one control button which allows easy access to all modes of operation. Here is a summary of its operation.



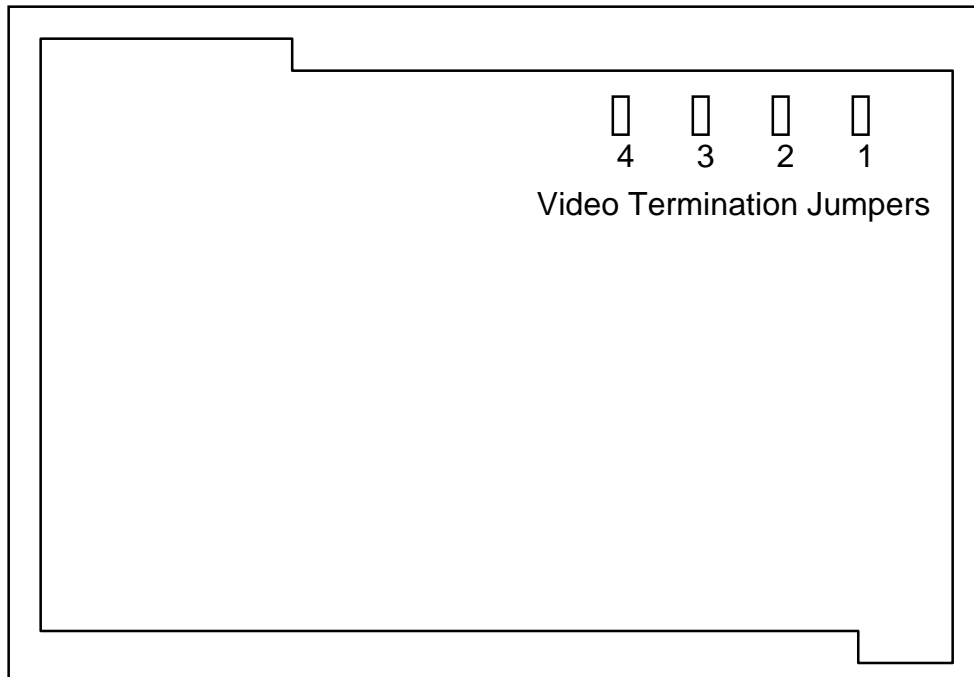
Mode Each press of the "Mode" button switches the QSP-660B to the next mode of operation. At power-up the QSP-660B is in quad mode. Successive presses of the "Mode" button will cause the QSP-660B to switch to cameras 1, 2, 3, 4 then back to quad mode.

BACK PANEL CONNECTIONS



There are nine BNC connectors on the back of the QSP-660B. The top Four BNC's are for the camera inputs, the bottom four are for looping, and one for an output which can be connected to a monitor and/or VCR input. The power connector is for a 9 Volt DC power adapter rated at 1.2 Amps. It is not recommended that any adapter other than the one shipped with the QSP-660B be used.

VIDEO LINE TERMINATION JUMPERS



The video line termination jumpers for each camera input are located in the rear of the unit and are accessed by removing the top cover. Jumpers should be removed if camera loop-through is used to forward a camera input to another video switcher or splitter.

SPECIFICATIONS

Physical

Dimensions	7 7/8" w X 8 5/8" d X 1 7/8" h (200 mm X 220 mm X 48 mm)
Weight (quad)	3.75 lbs (1.70 kg), power supply: 0.25 lbs (0.80 kg)
Operating Temp	32°F - 150°F (0°C - 70°C)

Video

Signal Format	EIA/CCIR Compatible Monochrome
Camera Inputs	0.6 to 1.2 Vp-p 75 Ohm Termination
Monitor Output	1.2 Vp-p into 75 Ohms
Digital Sampling	512H x 512V x 6 Bits (64 Gray Levels)
Refresh Rate	60 Fields Per Second all quadrants

Electrical

Power	9 V DC @ 1.2 Amp
Safety	UL Listed and CSA Approved
EMI	European (VDE Approved) Power Supplies Available FCC Part 15, Class A

Connectors

Video In	BNC, 1 per camera, terminating, or Hi Z (4 total)
Loop Thru	BNC, 1 per camera
Video Out	BNC
9 VDC	Power Jack, 0.080" pin diameter

Controls

MODE	Switches display mode from Quad to full camera and back
Termination Jumpers	Selects 75 Ohm or Hi-Z termination for 4 video inputs

WARRANTY INFORMATION

Thank you for purchasing this Advanced Technology Video, Inc., hereinafter "ATV", product. We have manufactured this product in accordance with high quality standards and when it is used in the manner intended, it has a **limited warranty against defects in material and workmanship for a period of five (5) years from the date of shipment from ATV**. During the warranty period ATV's entire liability and your exclusive remedy shall be, at ATV's option, upon receipt of proof of purchase, repair or replacement of products that prove to be defective. Repair of a defective product is contingent upon availability of replacement parts from their manufacturer. Should ATV be unable to obtain replacement parts, ATV will, at its option, pro rate the value of the defective product and offer this amount toward the purchase of any new ATV product.

For warranty service or repair, this product must be returned to a service facility designated by ATV. Within the United States, you must obtain a return authorization (RMA) number by calling (888) 288-7644. Outside of the United States, contact your sales representative or the ATV factory at 425-885-7000 (email: tech@atvideo.com). For ATV factory service after obtaining an RMA number, send the product, shipping charges and applicable duties and taxes paid, with a copy of your sales receipt or other proof of purchase and date of purchase to the ATV factory address.

LIMITATION OF WARRANTY

This warranty covers normal use and does not cover damage which occurs in shipment or failure which results from alteration, accident, misuse, neglect, voltage fluctuations, lightning, water damage (or other acts of God), faulty installation or adjustment of controls, interfacing with non-standard or custom equipment, or improper maintenance.

EXCEPT AS HEREIN EXPRESSLY SET FORTH AND TO THE MAXIMUM EXTENT PERMITTED BY APPLICABLE LAW, ATV OR ANY OF ITS EMPLOYEES SHALL NOT, UNDER ANY CIRCUMSTANCES, BE RESPONSIBLE FOR ANY DIRECT, INDIRECT, INCIDENTAL OR CONSEQUENTIAL DAMAGES, INCLUDING, BUT NOT LIMITED TO, DAMAGE TO THE EQUIPMENT. ATV MAKES NO OTHER WARRANTIES, EXPRESS OR IMPLIED INCLUDING, BUT NOT LIMITED TO THE IMPLIED WARRANTIES OF MERCHANTABILITY, FITNESS FOR A PARTICULAR PURPOSE, TITLE, AND NON-INFRINGEMENT. REMOVAL OR ALTERATION OF THE SERIAL NUMBER WILL VOID THIS WARRANTY.